

户内 单相 环氧树脂浇注式  
INDOOR SINGLE-PHASE EPOXY RESIN CASTING TYPE

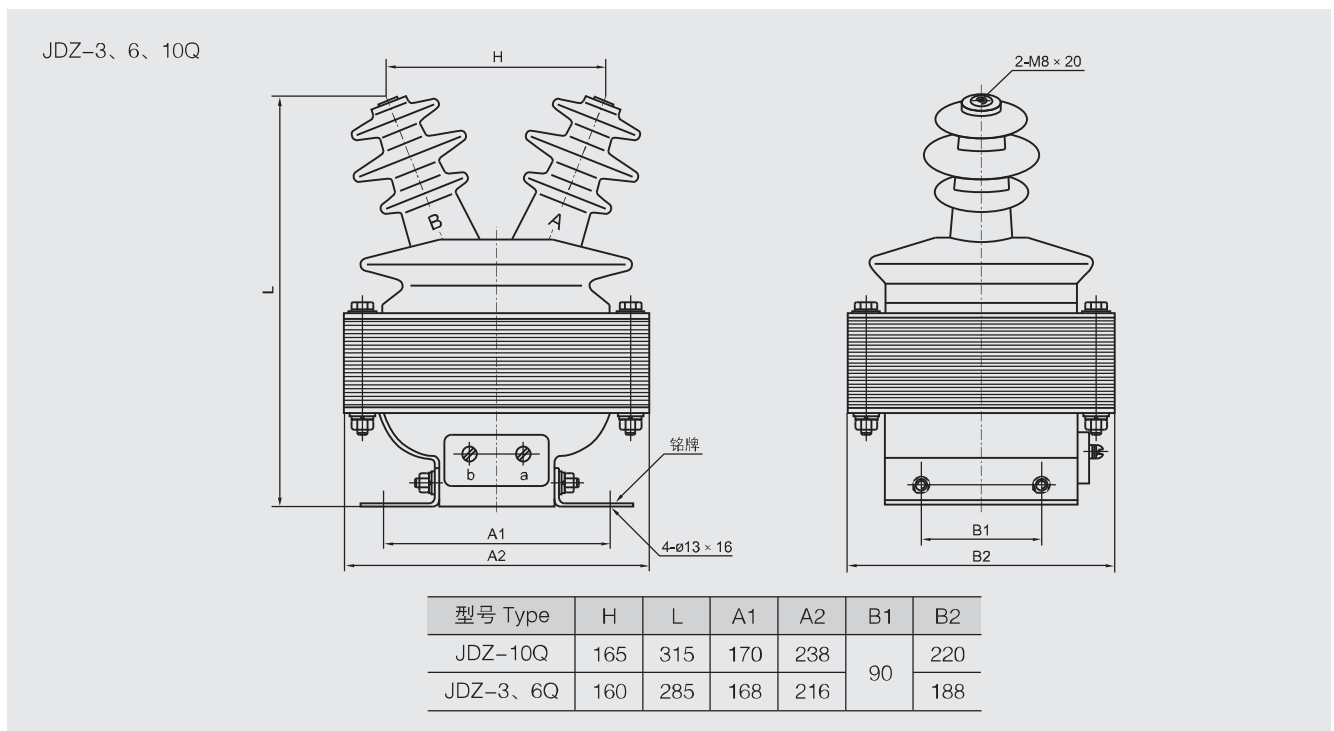
技术参数 Technical data

- 产品性能符合标准 GB1207和IEC60044-2  
The voltage transformers are in accordance with GB1207 and IEC60044-2 standards
- 额定绝缘水平 12/42/75、7.2/32/60kV  
Rated insulation level 12/42/75、7.2/32/60kV
- 额定频率50Hz或60Hz  
Rated frequency 50Hz or 60Hz

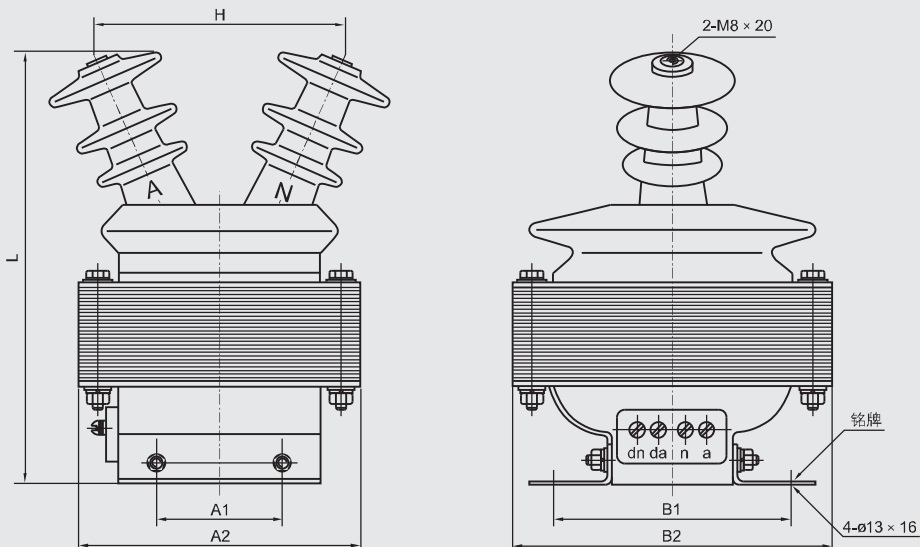


型号 Type	额定电压比 Rated voltage ratio (V)	额定二次输出 Rated secondary output (VA)						极限输出 Max.output (VA)	额定绝缘水平 Rated insulation level (kV)	
		0.2	0.5	1级	3级	0.2/0.2 0.2/0.5	0.5/0.5			6P
JDZ-3Q	3000/100	20	30	50	80	15/15	30/30	/	200	3.6/25/40
JDZ-6Q	6000/100	30	50	80	200	15/15	30/30		400	7.2/32/60
JDZ-10Q	10000/100	30	80	150	300	15/20	50/50		500	12/42/75
JDZJ-3Q	$\frac{3000}{\sqrt{3}} / \frac{100}{\sqrt{3}} / \frac{100}{3}$	20	30	50	80	/	/	50	200	3.6/25/40
JDZJ-6Q	$\frac{6000}{\sqrt{3}} / \frac{100}{\sqrt{3}} / \frac{100}{3}$		50	80	200				400	7.2/32/60
JDZJ-10Q	$\frac{10000}{\sqrt{3}} / \frac{100}{\sqrt{3}} / \frac{100}{3}$		50	80	200				100	200/200
	$\frac{10000}{\sqrt{3}} / \frac{100}{\sqrt{3}} / \frac{100}{\sqrt{3}} / \frac{100}{3}$	/	/	/	/	15/15	25/25			

外形及安装尺寸 Overall dimension drawing



JDZJ-3、6、10Q



型号 Type	H	L	A1	A2	B1	B2
JDZJ-10Q	180	315	90	220	170	238
JDZJ-3、6Q	160	285		188	168	216

接线图 Wiring diagram

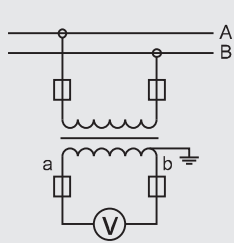


图1 (Figure 1)

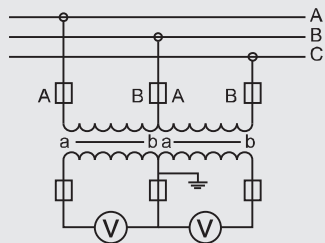


图2 (Figure 2)

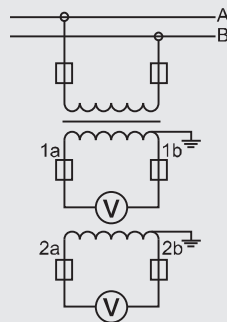


图3 (Figure 3)

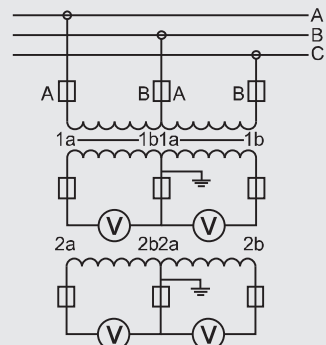


图4 (Figure 4)

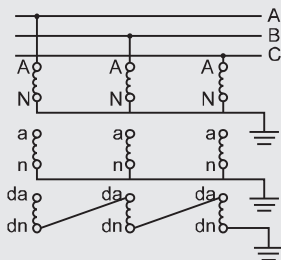


图5 (Figure 5)

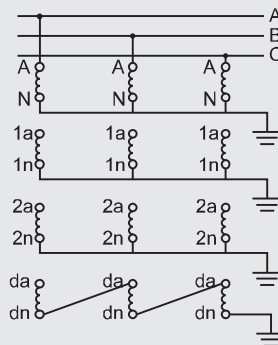


图6 (Figure 6)