

户内 单相 环氧树脂浇注式
INDOOR SINGLE-PHASE EPOXY RESIN CASTING TYPE

技术参数 Technical data

- 产品性能符合标准 GB1207和IEC60044-2
The voltage transformers are in accordance with GB1207 and IEC60044-2 standards
- 额定绝缘水平 12/42/75、7.2/32/60kV
Rated insulation level 12/42/75、7.2/32/60kV
- 额定频率50Hz或60Hz
Rated frequency 50Hz or 60Hz

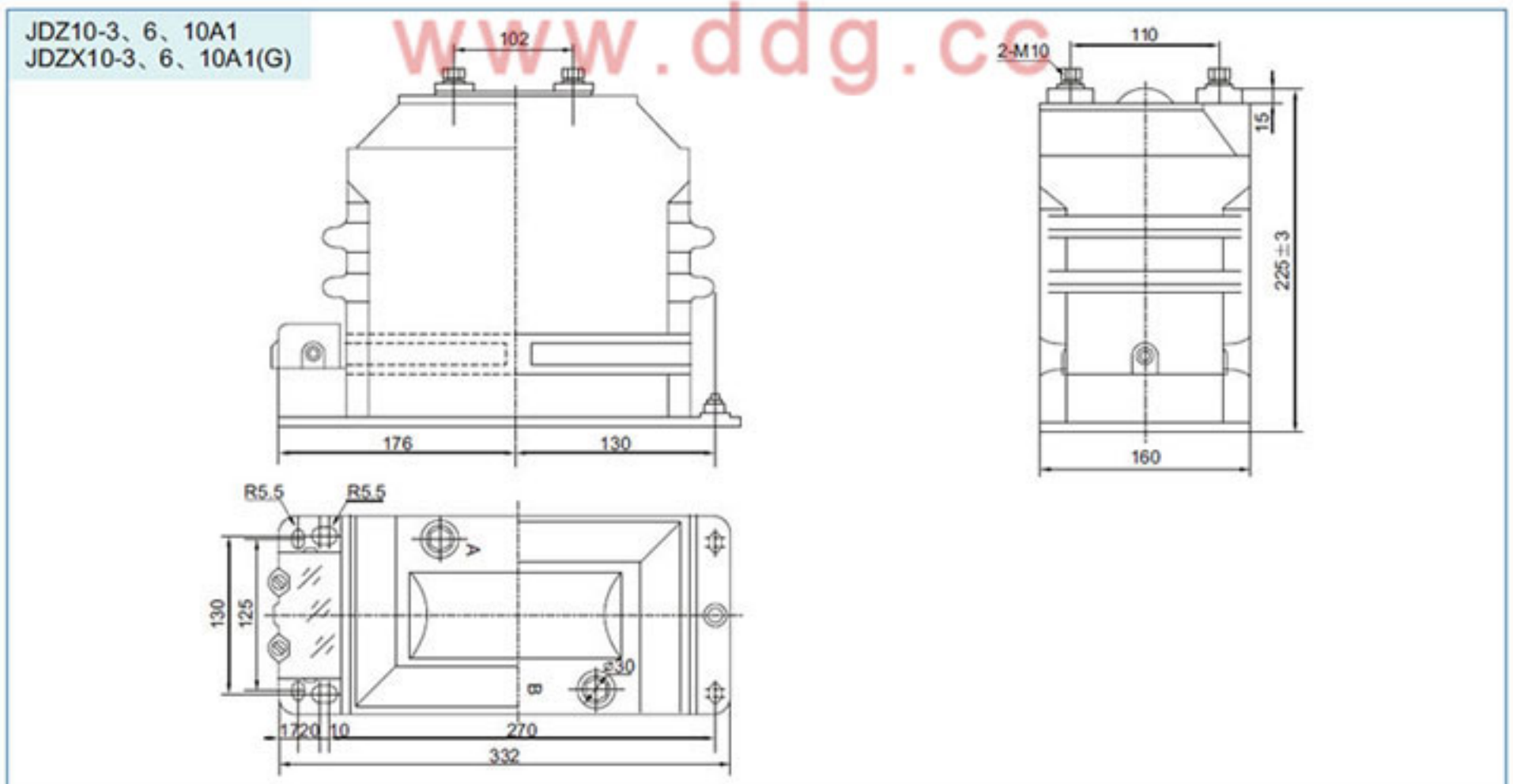


上海互凌电气

型号 Type	额定电压比 Rated voltage ration (A)	额定二次输出 Rated secondary output(VA)							极限输出 Max.output (VA)	额定绝缘水平 Rated insulation level (kV)	备注 Notes	接线图 Wiring diagram
		0.2	0.5	1级	3级	0.2/0.2 0.2/0.5	0.5/0.5	6P				
JDZ10-3A1	3000/100	30	50	100	200	/	/	/	300	3.6/25/40	等同 "RZL10" Same " RZ10L"	图1-图2 Figure 1-2
JDZ10-6A1	6000/100									7.2/32/60		
JDZ10-10A1	10000/100									12/42/75		
JDZ10-10A1	10000/100/100	/	/	/	/	10/10 10/15	15/15	200/200			图3-图4 Figure 3-4	
JDZX10-3A1(G)	$\frac{3000}{\sqrt{3}} / \frac{100}{\sqrt{3}} / \frac{100}{3}$	30	50	100	200	/	/	50	300	3.6/25/40	/	图5 Figure 5
JDZX10-6A1(G)	$\frac{6000}{\sqrt{3}} / \frac{100}{\sqrt{3}} / \frac{100}{3}$									7.2/32/60		
JDZX10-10A1(G)	$\frac{10000}{\sqrt{3}} / \frac{100}{\sqrt{3}} / \frac{100}{3}$									12/42/75		
JDZX10-10A1(G)	$\frac{10000}{\sqrt{3}} / \frac{100}{\sqrt{3}} / \frac{100}{\sqrt{3}} / \frac{100}{3}$	/	/	/	/	10/10 10/15	15/15	200/200			图6 Figure 6	

外形及安装尺寸 Overall dimension drawing

021 31263351





接线图 Wiring diagram

JDZ10-3、6、10A1

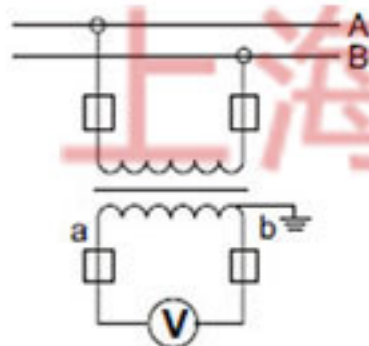


图1 (Figure 1)

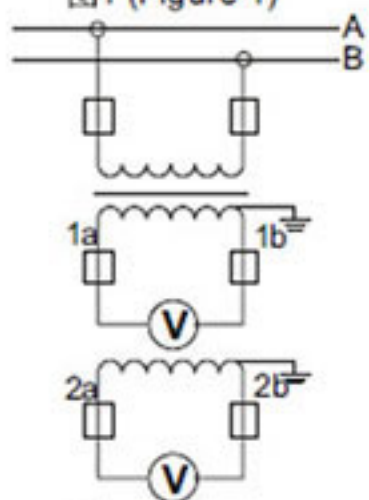


图3 (Figure 3)

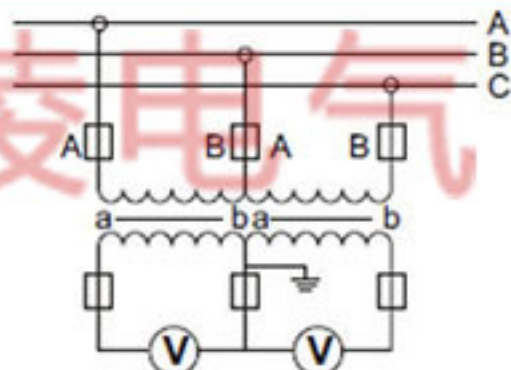


图2 (Figure 2)

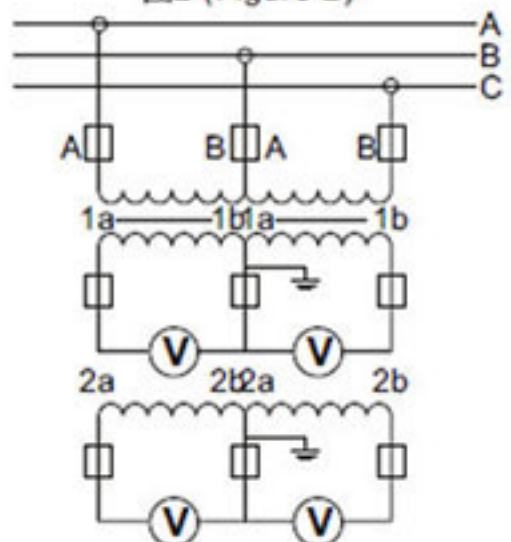


图4 (Figure 4)

JDZX10-3、6、10A1(G)

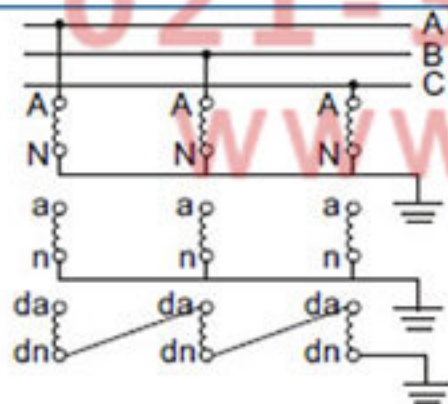


图5 (Figure 5)

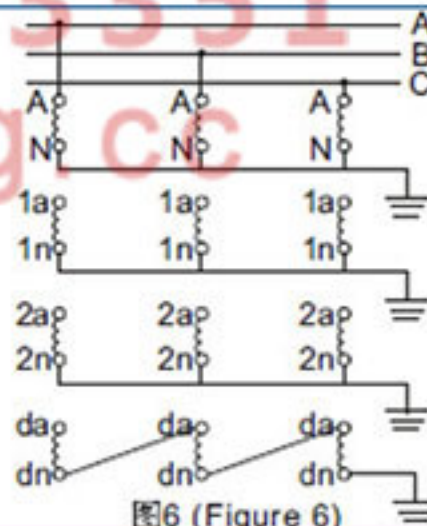


图6 (Figure 6)