

户内 单相 环氧树脂浇注式  
INDOOR SINGLE-PHASE EPOXY RESIN CASTING TYPE

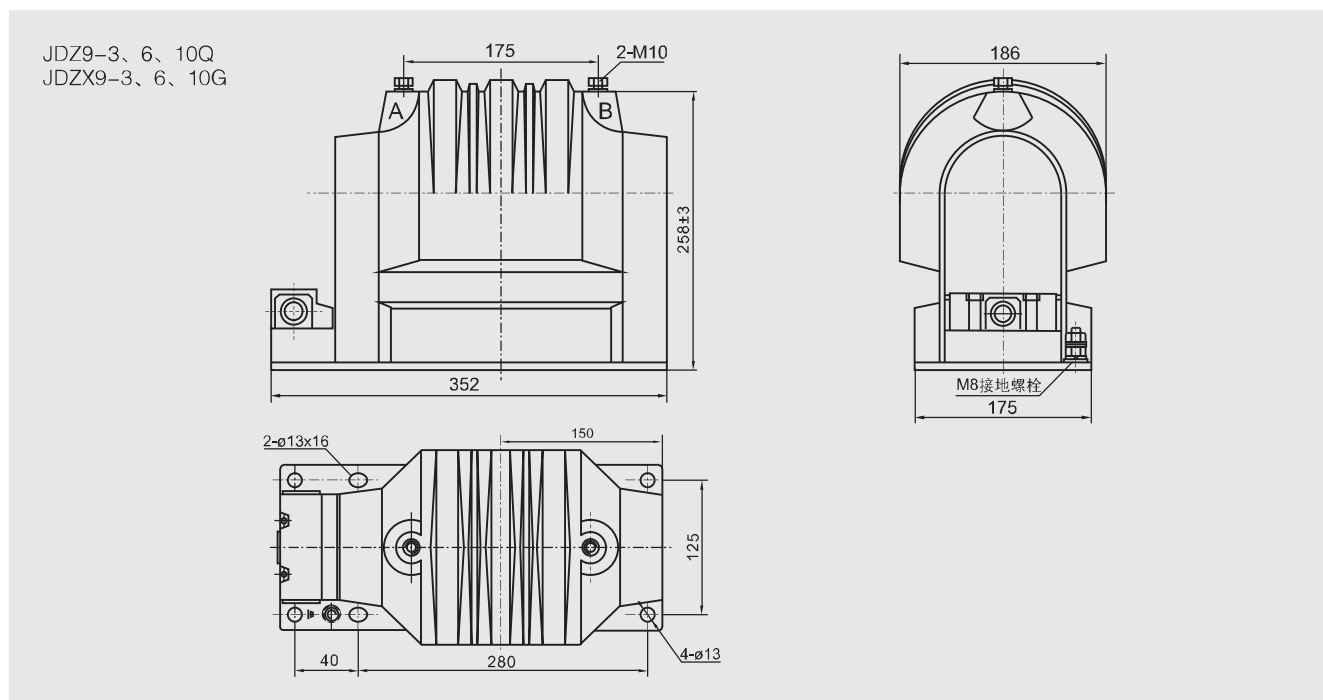
技术参数 Technical data

- 产品性能符合标准 GB1207和IEC60044-2  
The voltage transformers are in accordance with GB1207 and IEC60044-2 standards
- 额定绝缘水平 12/42/75、7.2/32/60kV  
Rated insulation level 12/42/75、7.2/32/60kV
- 额定频率50Hz或60Hz  
Rated frequency 50Hz or 60Hz



型号 Type	额定电压比 Rated voltage ratio (V)	额定二次输出 Rated secondary output(VA)						极限输出 Max.output (VA)	额定绝缘水平 Rated insula- tion level(kV)	备注 Notes	接线图 Wiring diagram
		0.2	0.5	1级	3级	0.2/0.2 0.2/0.5	0.5/0.5				
JDZ9-3Q	3000/100	40	100	200	240	/	/	/	500	等同 “VKV” Same “VKV”	图1-图2 Figure 1-2
JDZ9-6Q	6000/100										
JDZ9-10Q	10000/100										
JDZ9-10Q	10000/100/100	/	/	/	/	20/20 20/30	30/30	400/400			图3-图4 Figure 3-4
JDZX9-3G	$\frac{3000}{\sqrt{3}} / \frac{100}{\sqrt{3}} / \frac{100}{3}$	30	60	180	500	/	/	100	600	/	图5 Figure 5
JDZX9-6G	$\frac{6000}{\sqrt{3}} / \frac{100}{\sqrt{3}} / \frac{100}{3}$										
JDZX9-10G	$\frac{10000}{\sqrt{3}} / \frac{100}{\sqrt{3}} / \frac{100}{3}$										
JDZX9-10G	$\frac{10000}{\sqrt{3}} / \frac{100}{\sqrt{3}} / \frac{100}{\sqrt{3}} / \frac{100}{3}$	/	/	/	/	15/15 15/20	40/40	400/400			图6 Figure

外形及安装尺寸 Overall dimension drawing



接线图 Wiring diagram

JDZ9-3、6、10Q

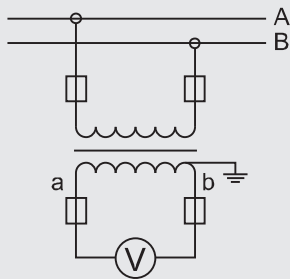


图1 (Figure 1)

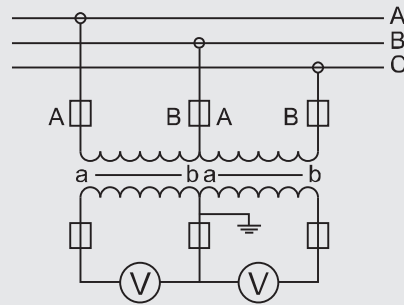


图2 (Figure 2)

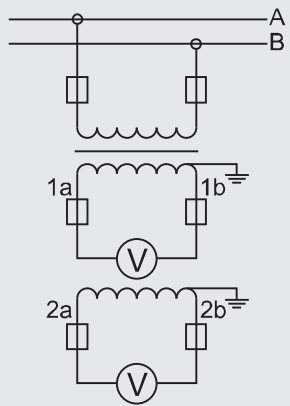


图3 (Figure 3)

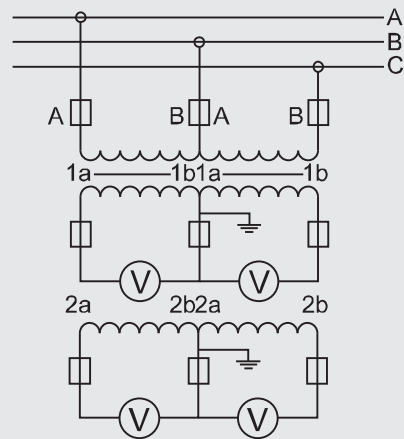


图4 (Figure 4)

JDZX9-3、6、10G

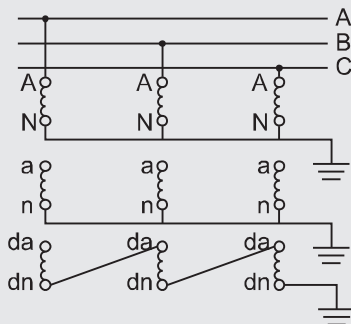


图5 (Figure 5)

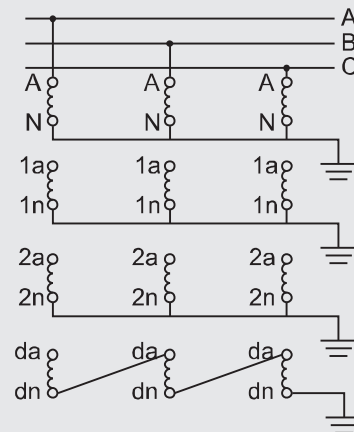


图6 (Figure 6)