

JDZ(X)W-20(G)

型户外电压互感器 OUTDOOR VOLTAGE TRANSFORMER



上海互凌

Shanghai Huling Electric Co.,Ltd.

户外 单相 环氧树脂浇注式 OUTDOOR SINGLE-PHASE EPOXY RESIN CASTING TYPE

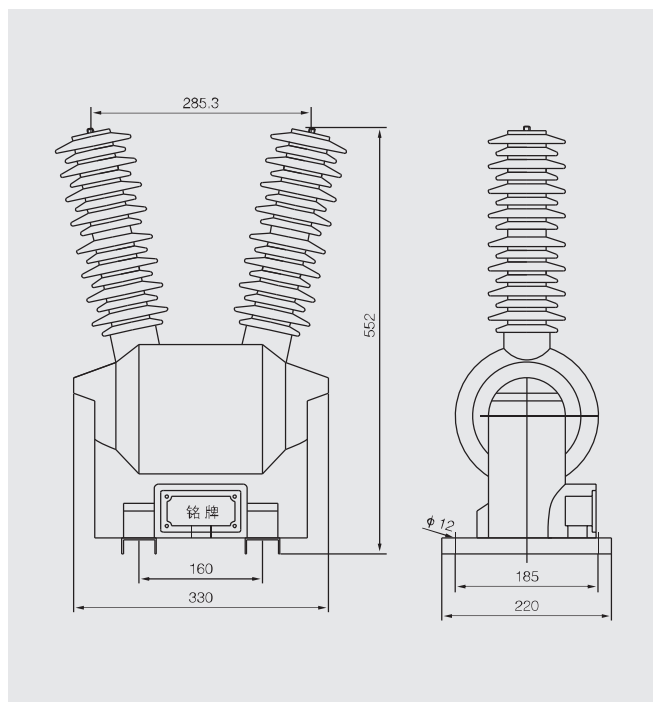
技术参数 Technical data

- 产品性能符合标准 GB1207和IEC60044-2
The current transformers are in accordance with GB1207 and IEC60044-2 standards
- 额定绝缘水平 24/65/125kV
Rated insulation level 24/65/125kV
- 额定频率50Hz或60Hz
Rated frequency 50Hz or 60Hz



型号 Type	额定电压比 Rated voltage ratio (V)	准确级及额定二次输出 Accuracy class and rated secondary output(VA)						极限输出 Max.output (VA)	额定绝缘水平 Rated insulation level (kV)	接线图 Wiring diagram
		0.2	0.5	1级	0.2/0.2 0.2/0.5	0.5/0.5	6P			
JDZW-20	20000 /100	40	100	200	/	/	/	800	24/65/125	图1-图2 Figure1-2
	20000 /100/100	/	/	/	20/20 20/30	30/30	/	400/400		图3-图4 Figure3-4
JDZXW-20G	$\frac{20000}{\sqrt{3}} / \frac{100}{\sqrt{3}} / \frac{100}{3}$	20	60	150	/	/	100	600		图5 Figure5
	$\frac{20000}{\sqrt{3}} / \frac{100}{\sqrt{3}} / \frac{100}{\sqrt{3}} / \frac{100}{3}$	/	/	/	15/15 15/20	30/30	100	300/300		图6 Figure6

外形及安装尺寸 Overall dimension drawing



接线图 Wiring diagram

