

# JDZX11-35R

型电压互感器 VOLTAGE TRANSFORMER



# 上海互凌

Shanghai Huling Electric Co.,Ltd.

户内 单相 环氧树脂浇注式

INDOOR SINGLE-PHASE EPOXY RESIN CASTING TYPE

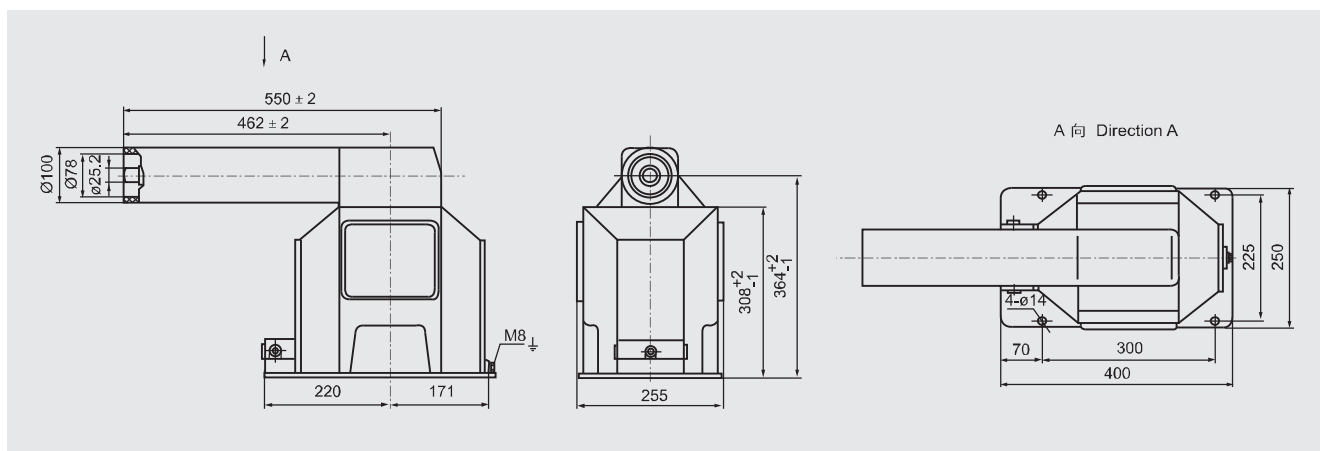
## 技术参数 Technical data

- 产品性能符合标准 GB1207和IEC60044-2  
The current transformers are in accordance with GB1207 and IEC60044-2 standards
- 额定绝缘水平 40.5/95/185kV  
Rated insulation level 40.5/95/185kV
- 额定频率50Hz或60Hz  
Rated frequency 50Hz or 60Hz



额定电压比 Rated voltage ratio (V)	额定二次输出 Rated secondary output(VA)							极限输出 Max.output (VA)	额定绝缘水平 Rated insula-tion level (kV)	接线图 Wiring diagram
	0.2	0.5	1级	3级	0.2/0.2 0.2/0.5	0.5/0.5	6P(3P)			
$\frac{35000}{\sqrt{3}} / \frac{100}{\sqrt{3}} / \frac{100}{3}$	45	100	200	500	/	/	100	600	40.5/95/200	图1 Figure1
$\frac{35000}{\sqrt{3}} / \frac{100}{\sqrt{3}} / \frac{100}{\sqrt{3}} / \frac{100}{3}$	/	/	/	/	20/20 20/30	40/40	100	300/300		图2 Figure2

## 外形及安装尺寸 Overall dimension drawing



## 接线图 Wiring diagram

