

户内 单相 环氧树脂浇注式
INDOOR SINGLE-PHASE EPOXY RESIN CASTING TYPE

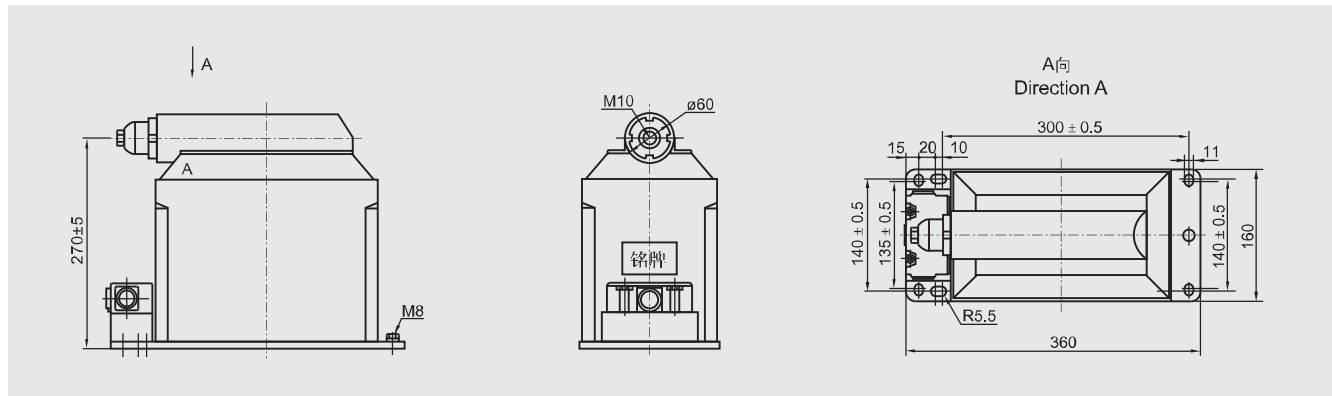
技术参数 Technical data

- 产品性能符合标准 GB1207和IEC60044-2
The voltage transformers are in accordance with GB1207 and IEC60044-2 standards
- 额定绝缘水平 12/42/75、7.2/32/60kV
Rated insulation level 12/42/75、7.2/32/60kV
- 额定频率50Hz或60Hz
Rated frequency 50Hz or 60Hz



额定电压比 Rated voltage ratio (V)	额定二次输出 Rated secondary output(VA)							极限输出 Max.output (VA)	额定绝缘水平 Rated insulation level (kV)	接线图 Wiring diagram
	0.2	0.5	1级	3级	0.2/0.2 0.2/0.5	0.5/0.5	6P			
$\frac{3000}{\sqrt{3}} / \frac{100}{\sqrt{3}} / \frac{100}{3}$	25	50	90	200	/	/	50	400	3.6/23/40	图1 Figure 1
$\frac{6000}{\sqrt{3}} / \frac{100}{\sqrt{3}} / \frac{100}{3}$									7.2/32/60	
$\frac{10000}{\sqrt{3}} / \frac{100}{\sqrt{3}} / \frac{100}{3}$									12/42/75	
$\frac{10000}{\sqrt{3}} / \frac{100}{\sqrt{3}} / \frac{100}{\sqrt{3}} / \frac{100}{3}$	/	/	/	/	$\frac{15}{15} / \frac{15}{20}$	30/30	50	200/200	图2 Figure 2	

外形及安装尺寸 Overall dimension drawing



接线图 Wiring diagram

