



### 户外 单相 环氧树脂浇注式 OUTDOOR SINGLE-PHASE EPOXY RESIN CASTING TYPE

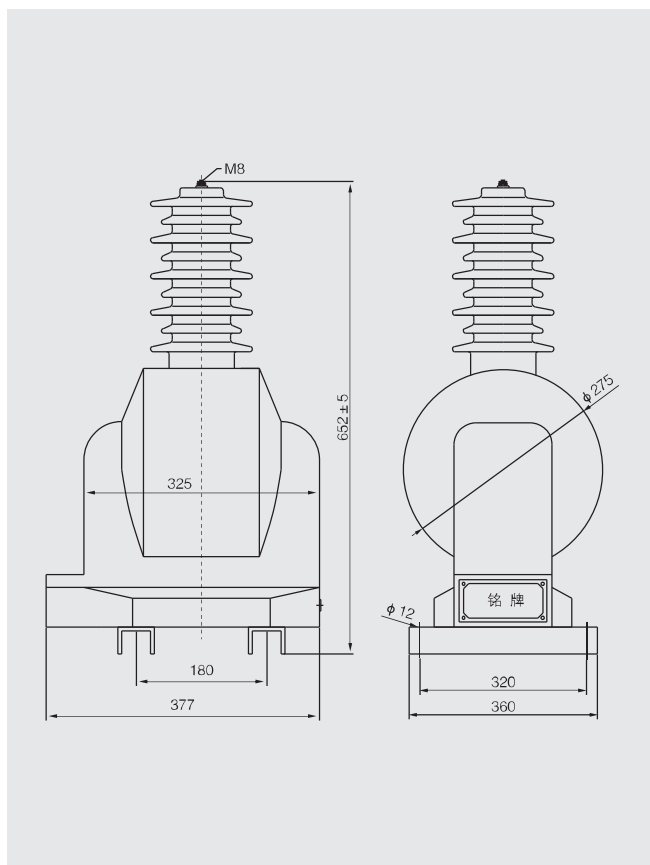
#### 技术参数 Technical data

- 产品性能符合标准 GB1207和IEC60044-2  
The current transformers are in accordance with GB1207 and IEC60044-2 standards
- 额定绝缘水平 40.5/95/185kV  
Rated insulation level 40.5/95/185kV
- 额定频率50Hz或60Hz  
Rated frequency 50Hz or 60Hz



额定电压比 Rated voltage ratio (V)	准确级及额定二次输出 Accuracy class and rated secondary output(VA)							极限输出 Max.output (VA)	额定绝缘水平 Rated insulation level (kV)	接线图 Wiring diagram
	0.2	0.5	1级	3级	0.2/0.2 0.2/0.5	0.5/0.5	6P			
$\frac{35000}{\sqrt{3}} / \frac{100}{\sqrt{3}} / \frac{100}{3}$	30	90	180	500	/	/	100	600	40.5/95/200	图1 Figure1
$\frac{35000}{\sqrt{3}} / \frac{100}{\sqrt{3}} / \frac{100}{\sqrt{3}} / \frac{100}{3}$	/	/	/	/	20/20 20/30	45/45	100	300/300		图2 Figure2

#### 外形及安装尺寸 Overall dimension drawing



#### 接线图 Wiring diagram

