

JDZ(X)W2-3、6、10R(G)

型户外电压互感器 OUTDOOR VOLTAGE TRANSFORMER



上海互凌

Shanghai Huling Electric Co.,Ltd.

户外 单相 环氧树脂浇注式 OUTDOOR SINGLE-PHASE EPOXY RESIN CASTING TYPE

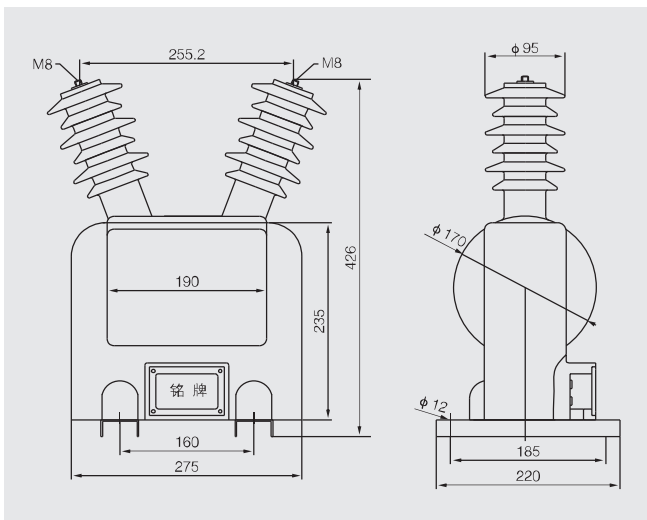
技术参数 Technical data

- 产品性能符合标准 GB1207和IEC60044-2
The current transformers are in accordance with GB1207 and IEC60044-2 standards
- 额定绝缘水平 12/42/75kV、7.2/32/60kV
Rated insulation level 12/42/75kV、7.2/32/60kV
- 额定频率50Hz或60Hz
Rated frequency 50Hz or 60Hz



型号 Type	额定电压比 Rated voltage ratio (V)	准确级及额定二次输出 Accuracy class and rated secondary output(VA)							极限输出 Max.output (VA)	额定绝缘水平 Rated insulation level(kV)	接线图 Wiring diagram
		0.2	0.5	1级	3级	0.2/0.2 0.2/0.5	0.5/0.5	6P			
JDZW2-3R	3000/100	30	80	200	240	/	/	/	500	3.6/25/40	图1-图2 Figure1-2
JDZW2-6R	6000/100										
JDZW2-10R	10000/100										
JDZW2-10R	10000/220	/	/	/	/	20/20 20/30	25/25	/	400/400	12/42/75	图3-图4 Figure3-4
	10000/100/100										
JDZXW2-3RG	$\frac{3000}{\sqrt{3}} / \frac{100}{\sqrt{3}} / \frac{100}{3}$	20	50	150	250	/	/	100	600	3.6/25/40	图5 Figure5
JDZXW2-6RG	$\frac{6000}{\sqrt{3}} / \frac{100}{\sqrt{3}} / \frac{100}{3}$										
JDZXW2-10RG	$\frac{10000}{\sqrt{3}} / \frac{100}{\sqrt{3}} / \frac{100}{3}$										
JDZXW2-10RG	$\frac{10000}{\sqrt{3}} / \frac{100}{\sqrt{3}} / \frac{100}{3}$	/	/	/	/	15/15 15/20	30/30	100	300/300	12/42/75	图6 Figure6
	$\frac{10000}{\sqrt{3}} / \frac{100}{\sqrt{3}} / \frac{100}{3}$										

外形及安装尺寸 Overall dimension drawing



接线图 Wiring diagram

