

户外 单相 环氧树脂浇注式  
OUTDOOR SINGLE-PHASE EPOXY RESIN CASTING TYPE

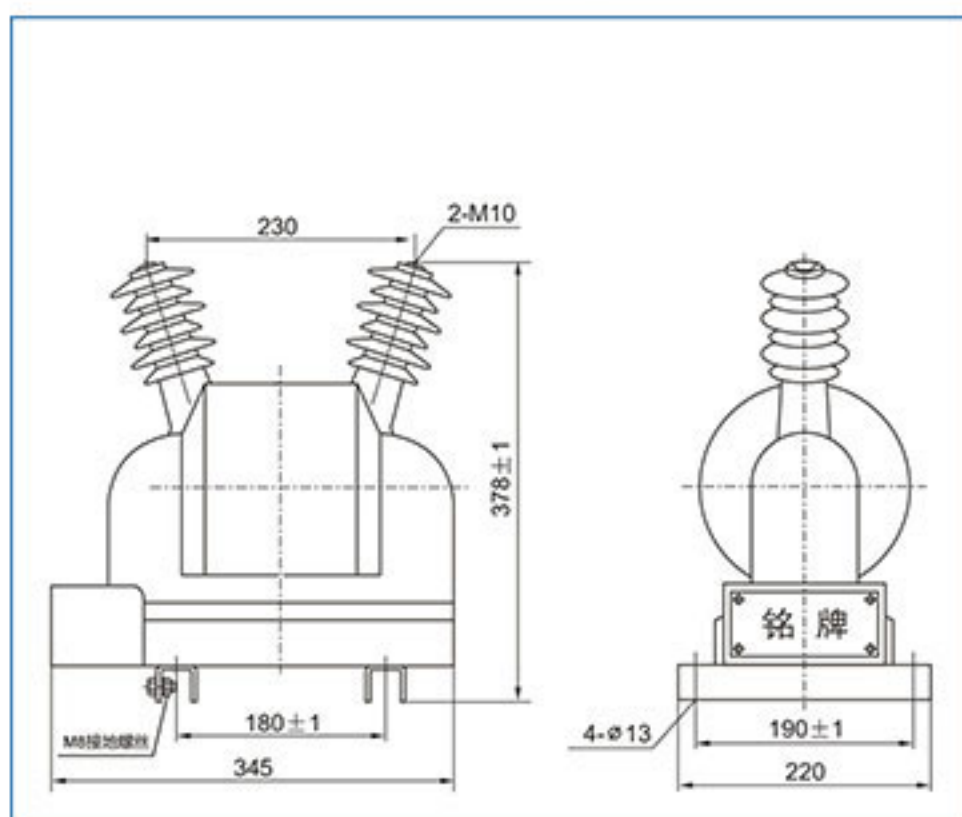
技术参数 Technical data

- 产品性能符合标准 GB1207和IEC60044-2  
The current transformers are in accordance with GB1207 and IEC60044-2 standards
- 额定绝缘水平 12/42/75kV、7.2/32/60kV  
Rated insulation level 12/42/75kV、7.2/32/60kV
- 额定频率50Hz或60Hz  
Rated frequency 50Hz or 60Hz



型号 Type	额定电压比 Rated voltage ration (A)	准确级及额定二次输出 Accuracy class and rated secondary output(VA)							极限输出 Max.output (VA)	额定绝缘水平 Rated insulation level (kV)	接线图 Wiring diagram	
		0.2	0.5	1级	3级	0.2/0.2 0.2/0.5	0.5/0.5	6P				
JDZW2-3	3000/100	40	80	200	240	/	/	/	500	3.6/25/40	图1-2 Figure 1-2	
JDZW2-6	6000/100									7.2/32/60		
JDZW2-10	10000/100									/	/	/
	10000/220	0.2/3---30/500 0.5/3---80/500	/	300/500								
	10000/100/100	15/15 15/20	40/40	300/300								
JDZXW2-3G	$\frac{3000}{\sqrt{3}} / \frac{100}{\sqrt{3}} / \frac{100}{3}$	25	50	150	250	/	/	100	600	3.6/25/40	图5 Figure 5	
JDZXW2-6G	$\frac{6000}{\sqrt{3}} / \frac{100}{\sqrt{3}} / \frac{100}{3}$									7.2/32/60		
JDZXW2-10G	$\frac{10000}{\sqrt{3}} / \frac{100}{\sqrt{3}} / \frac{100}{3}$									/	/	/
	$\frac{10000}{\sqrt{3}} / \frac{100}{\sqrt{3}} / \frac{100}{\sqrt{3}} / \frac{100}{3}$											

外形及安装尺寸  
Overall dimension drawing



接线图  
Wiring diagram

