

技术参数 Technical data

- 产品性能符合标准 GB17201
The current transformers are in accordance with GB17201
- 额定绝缘水平 12/42/75kV
Rated insulation level 12/42/75kV
- 额定频率50Hz或60Hz
Rated frequency 50Hz or 60Hz
- 额定电压：6kV、10kV、11kV、33kV、35kV；
Rated Voltage: 6kV、10kV、11kV、33kV、35kV；
- 准确等级：0.5和0.2级、0.5S和0.2S级；
Accurate Grade: 0.5 and 0.2、0.5S and 0.2S；
- 额定变比：电压比3000/100、6000/100、10000/100、11000/110、33000/110、35000/100
电流比5~300/5(大电流变比可以定做)；
Rated Ratio: ratio-voltage 3000/100、6000/100、10000/100、11000/110、33000/110、35000/100
ratio=current 5~300/5(high ratio-current can made to order)；
- 环境温度：-25℃~+40℃
Ambient temperature -25℃~+40℃
- 污秽等级IV级
Pollution class IV



型号 Type	额定电压比 Rated voltage Ratio(V)	额定电流比 Rated current Ratio(A)	电压互感器准确等级及额定输出(VA) Voltage transformer Accurate grade and Rated output(VA)		电流互感器准确等级及额定输出(VA) Current transformer Accurate grade and Rated output(VA)		额定绝缘水平 Rated Insulating level(kV)
			0.2级 Class	0.5级 Class	0.2(S)级 Class	0.5(S)级 Class	
JLS-10	3000/100	5-300/5	20	25	10	10	3.6/24/75
	6000/100	5-300/5	20	25	10	10	7.2/32/75
	11000/110	5-300/5	25	25	10	10	12/42/75
JLS-35	11000/100	5-300/5	25	25	10	10	12/42/75
	33000/110	5-300/5	50	50	10	10	40.5/95/185
	35000/100	5-300/5	50	50	10	10	40.5/95/185

该系列高压电力计量箱分为单变比和双变比两种类型，双变比接线时，大电流比接AP1、AP2与CP1、CP2、小电流比接AP1、AP3与CP1、CP3。原理图如下所示。

This product of high-voltage electric measuring tank has two types, single ratio and double ratio. In double ratio wiring case, heavy current ratio connects AP1、AP2 and CP1、CP2, and light current ratio connects AP3 and CP1、CP3. The schematic drawing is illustrated as follows.

概述 Description

本产品主要由组合互感器和电度表箱两部分组成，组合互感器由两台或三台单相电压互感器和电流互感器组成，用25#变压器油作绝缘介质，一、二次出线端均用瓷套管安装在面板上。电度表箱装在组合互感器侧面，由一只有功电度表和一只无功电度表组成，具有计量精度高、重量轻、安装方便、防窃电等优点。

该系列电能计量箱适用于户外额定电压6、10、35kV，额定频率50Hz的三相系统网路上。

The product mainly consists two parts, combined transformer and watt-hour meter tank. The former is made up of two or three single-phase voltage transformer and current transformer, which adopts 25# mutual inductor oil as insulating medium and whose primary and secondary line ends are both installed on the panel by porcelain bushing. Watt-hour meter tank is fixed on the side of combined transformer and comprises one active watt-hour meter and reactive watt-hour meter, which has high-precision measurement, light weight, convenient installation and electricity theft resistance.

The power measuring box is applicable to three-phase system net with rated voltage of 6,10,35kV and rated frequency of 50Hz.

外形及安装尺寸 Overall dimension drawing

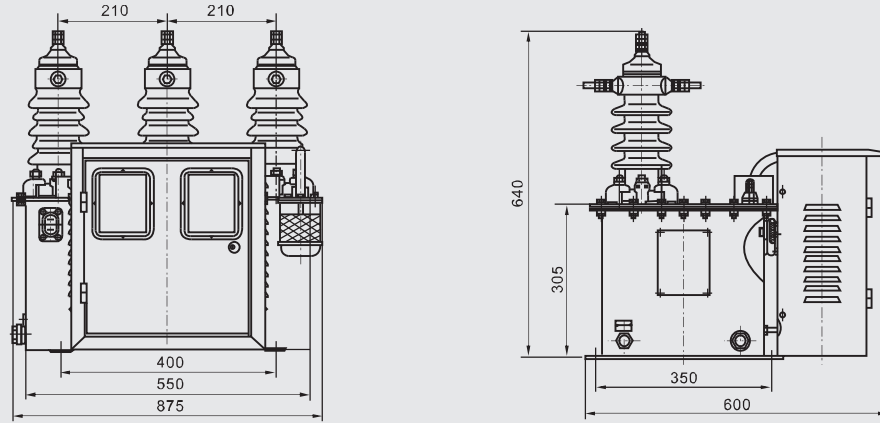


图1: 6kV、10kV、11kV三相四线油浸式高压电力计量箱(三相三元件)
Diagram 1: Outline and installing dimension of 6kV、10kV、11kV three-phase four-wire-immersed high-voltage electric measuring tank (three-phase three component)

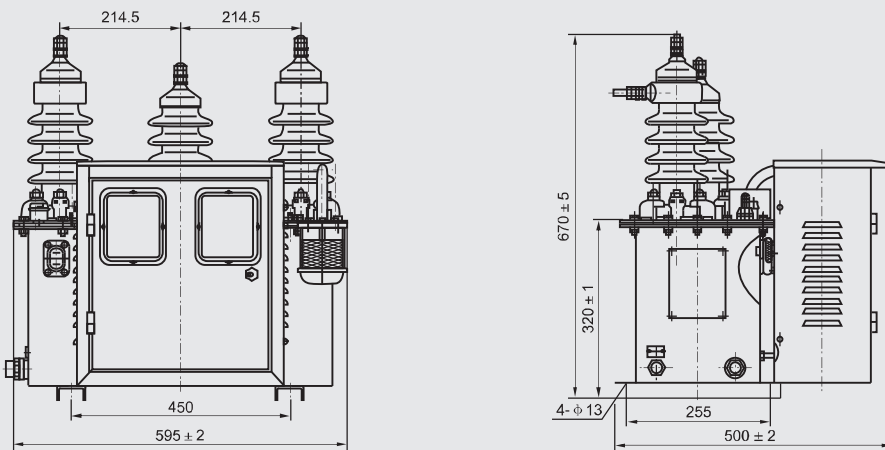


图2: 6kV、10kV、11kV三相三线油浸式高压电力计量箱(三相二元件)
Diagram 2: External form and installation dimension of 6kV、10kV、11kV three-phase three-wire oil-immersed high-voltage electric measuring tank (three-phase two-component)

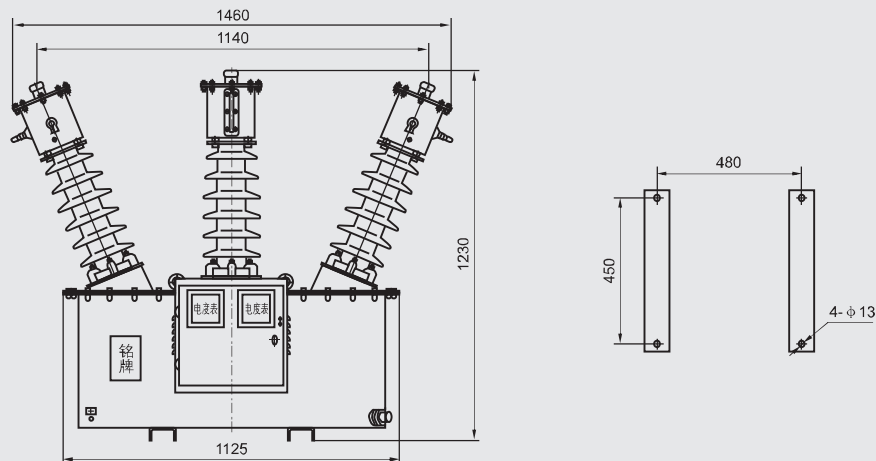


图3: 33-35kV三相三线量箱(三相二元件)
Diagram 3: Outline and installation dimension of 33-35kV three-phase three-wire measuring tank (three-phase two-component)

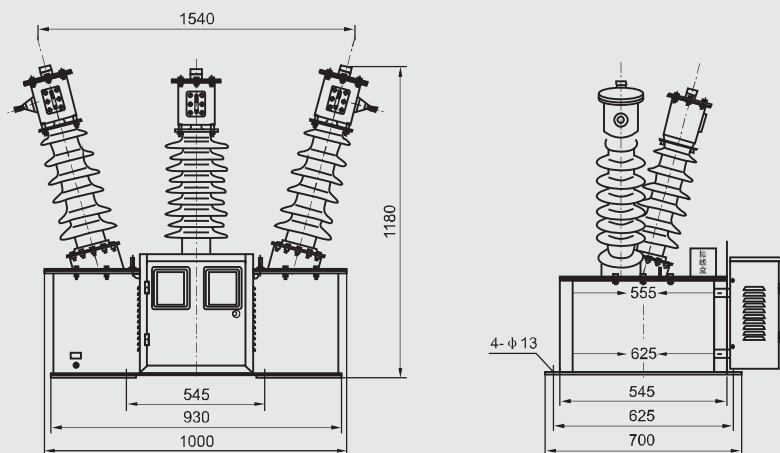
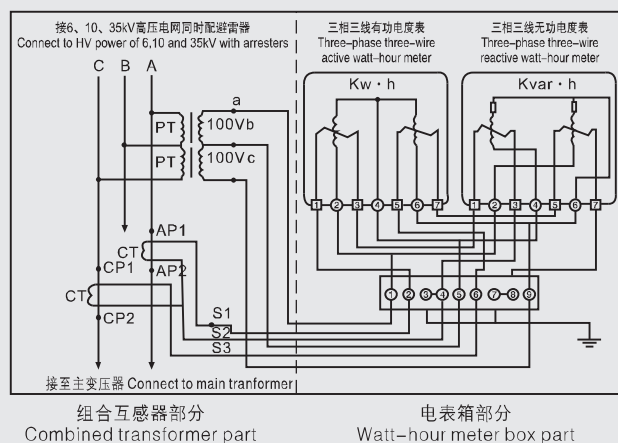


图4: 33-35kV三相四线计量箱(三相三元件)
Diagram 4: Outline and installation of 33-35kV three-phase four-wire measuring tank (three-phase three component)

单变比接线图 Single ratio wiring diagram



双变比接线图 Double ratio wiring diagram

