

技术参数 Technical data

- 污秽等级: II 级;
Pollution class: class II;
- 本型组合互感器系由单相电压互感器和单相电流互感器组合成三相。电压互感器用 V/V-12 接线;
This combination transformer by the combination of single-phase voltage transformer bearing in mind that single-phase current transformer into a three-phase. Voltage transformer with V/V-12 connection;
- 本型组合互感器满足 GB1208《电流互感器》、GB1207《电磁式电压互感器》、GB17201《组合互感器》之要求
This type of combination of transformers to meet with GB1208 "current transformer", GB1207 electromagnetic voltage transformer, GB17201 combined transformer, "requirements
- 电压互感器额定电压比为: 10000/100(V)。额定二次输出为: 0.2 级 20VA 或 0.5 级 50VA;
Rated voltage of the voltage transformer ratio: 10000/100 (V). Rated secondary output: 20VA 0.5 0.2 50VA;
- 负荷功率因数 $\cos\phi = 0.8$ (滞后);
Load power factor $\cos\phi = 0.8$ (lag);
- 电流互感器仪表保安系数 $F_s \leq 10$;
Current transformer meter Safety factor $F_s \leq 10$;
- 其它技术参数见下表:
Other technical parameters are as follows:
- 环境温度: $-30^{\circ}\text{C} \sim 40^{\circ}\text{C}$ 之间。日平均气温不超过 30°C ;
Ambient temperature: $-30^{\circ}\text{C} \sim 40^{\circ}\text{C}$. The daily average temperature does not exceed 30°C ;
- 海拔高度: $\leq 4000\text{m}$;
Altitude: $\leq 4000\text{m}$;



额定电流比(A) Rated current ratio	准确级组合 Class combination	准确级及额定输出(VA) $\cos\phi = 0.8$ Accuracy class and rated output		额定短时热电流(kA) Rated short time thermal current (kA)	额定动稳定电流(kA) Rated Dynamic current(KA)
		0.2S	0.5		
5/5-75/5	0.2(S) 0.5	10或15	10或15	100 I1n	250 I1n
100/5-200/5				150 I1n	375 I1n
300/5				31.5	80
400/5-600/5				63	130

额定电压比(A) Rated voltage ratio	准确级组合 Class combination	准确级及额定输出(VA) $\cos\phi = 0.8$ Accuracy class and rated output		二次热极限输出(VA) Limiting thermal output of secondary winding(kA)
		0.2	0.5	
10/0.1	0.2	30	60	350
6/0.1	0.5			

注: 如用户要求的参数超出上表范围, 可与我公司协商后确定。
Note: If the required parameter is beyond the above range, it can be discussed and confirmed with us.

概述 Description

本型电压、电流组合互感器(又称电能计量箱)系供交流50Hz、额定电压10kv三相电力线路中作有功、无功电能计量。适用于农村户外变电站, 也可用于工业企业小型变、配电所。本产品可取代JLS-10型油浸式电能计量箱。

This type of voltage, current combined transformer (also known as energy metering box) for AC 50Hz, rated voltage 10kv three-phase power lines for the active and reactive energy metering. Applicable to rural outdoor substation. Also be used for the small change of the industrial enterprises, power distribution. This product can replace the JLS-10 oil-immersed power metering box.

结构特点 Characteristic of structure

本型组合互感器为户外环氧树脂浇注、全封闭、支柱式结构。由于采用户外环氧树脂浇注。产品具有耐电弧、耐紫外线、耐老化、寿命长、免维护等特点。本产品由两台单相全绝缘电压互感器组成“V”形接线，两台电流互感器分别串接在A、C相上，并且电流互感器二次绕组带有抽头可得到不同电流比。

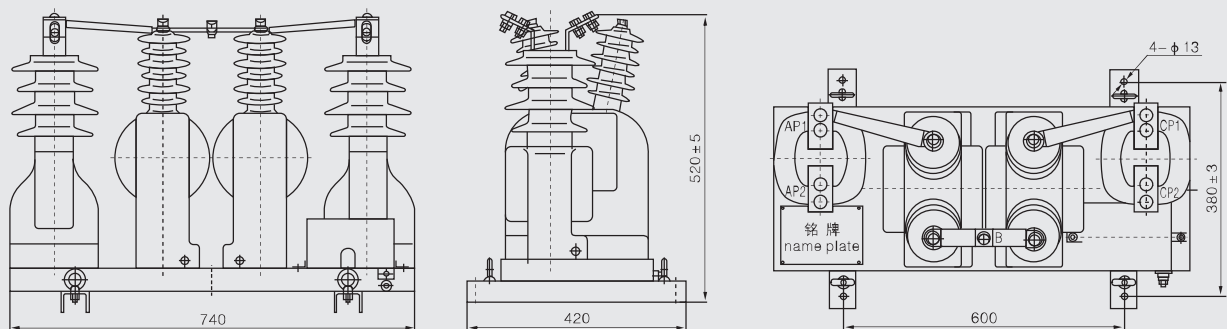
二次出线通过金属软管引出。接线方便、安全可靠并能实现防窃电措施。底座槽钢上有四个安装孔供安装使用。

The combined transformer for outdoor epoxy casting, all closed, the pillar structure. Outdoor epoxy casting, the product has the arc resistance, UV resistance, aging resistance, long life, maintenance-free characteristics. This product consists of two single-phase full insulation voltage transformer formed a "V"-shaped connection, two current transformers are connected in series A and C phase. And current transformer secondary winding with a tap can be obtained with different current ratio.

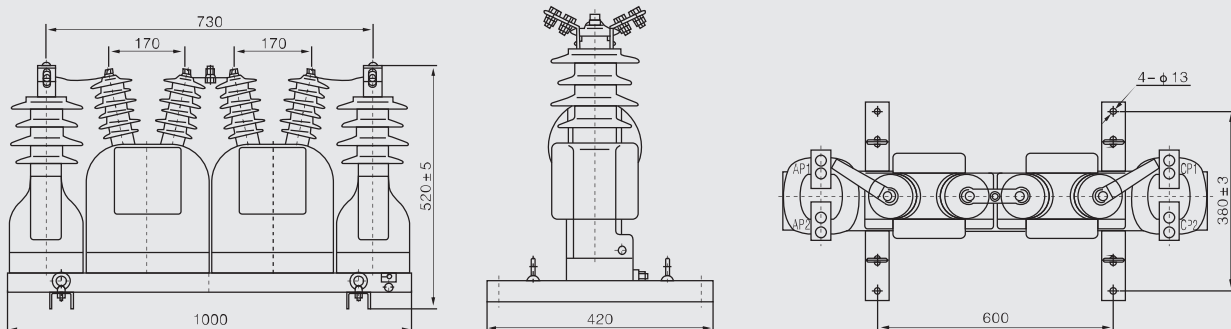
Secondary outlet leads through a metal hose, wiring, safe and reliable and can realize the anti-theft measures. There are four mounting holes for installation in the base channel.

外形及安装示意图 Outline dimension

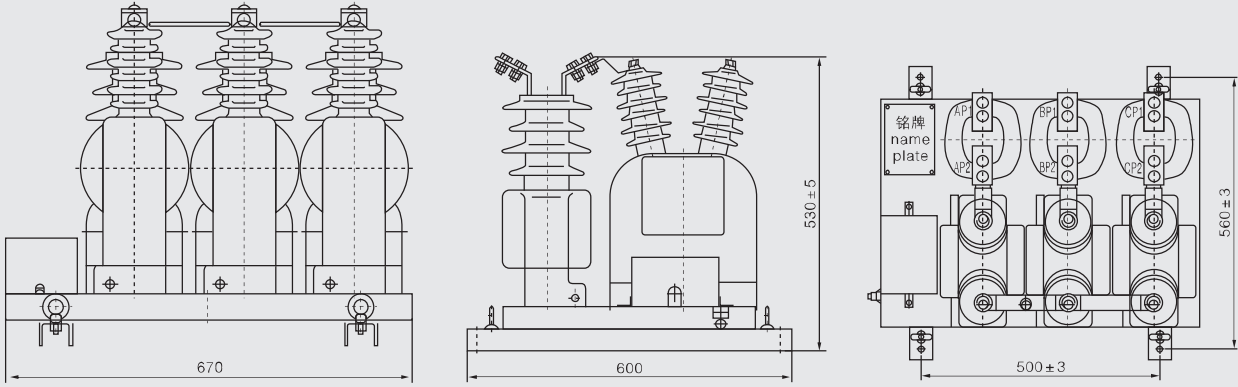
JLSZW₁-6kV、10kV“V/V”接法三相三线二元件
 JLSZW₁-6kV、10kV“V/V” wiring mode three-phase three-line two-component



JLSZW₂-6kV、10kV“V/V”接法三相三线二元件
 JLSZW₂-6kV、10kV“V/V” wiring mode three-phase three-line two-component

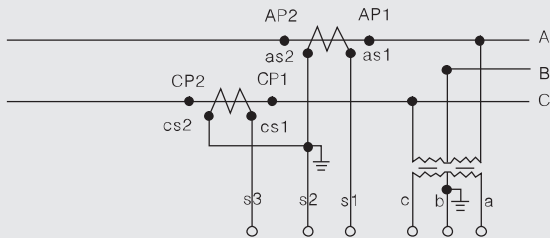


JLSZW₃-6kV、10kV“Y/Y0”接法三相四线三元件
 JLSZW₃-6kV、10kV“Y/Y0” wiring mode three-phase four-line three-component

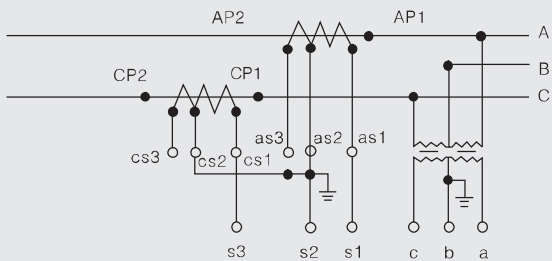


接线图 Wiring diagram

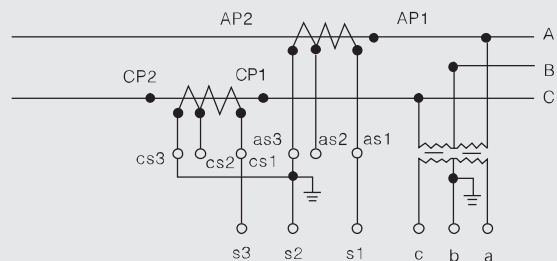
组合互感器接线图：
 Combined transformer connection drawing



1、单变比接线图
 Single ratio connection drawing



1 小变比接线图
 Small ratio connection drawing



2 大变比接线图
 Big ratio connection drawing

2、双变比接线图 Double ratio connection drawing