

JLSZV2-6、10W

型户外干式组合互感器 OUTDOOR DRY TYPE COMBINED TRANSFORMER



上海互凌

Shanghai Huling Electric Co., Ltd.

户外 三相 高压计量箱

OUTDOOR SINGLE-PHASE HIGH-VOLTAGE METERING BOX

技术参数 Technical data

- 产品性能符合标准 GB17201
The current transformers are in accordance with GB17201
- 额定绝缘水平 12/42/75kV
Rated insulation level 12/42/75kV
- 额定频率50Hz或60Hz
Rated frequency 50Hz or 60Hz
- 环境温度: -25°C~+40°C
Ambient temperature -25°C~+40°C
- 污秽等级IV级
Pollution class IV



电压部分参数 Parameter voltage part

型号 Type	额定电压比 Rated voltage ratio (V)	准确级及额定二次输出 Accuracy class and rated secondary output (VA)	极限输出 Max. output (VA)	额定绝缘水平 Rated insulation level (kV)
JLSZV2-6W	6000/100	0.2---2×20 0.5---2×50 1级---2×80 3级---2×200	2×400	7.2/32/60
JLSZV2-10W	10000/100			12/42/75

电流部分参数 Parameter of current part

额定一次电流 Rated primary current (A)	单变比 Single transformation ratio	准确级及额定二次输出 Accuracy class and rated secondary output (VA)			1秒热稳定电流 1s thermal current (kA)	动稳定电流 Rated dynamic current (kA)
		(0.2)S	0.5S	0.5		
7.5-10-15	7.5	10	10	15	1.0	2.5
10-15-20	10				1.5	3.75
15-20-30	15				2.4	6.0
20-30-40	20、25				3.0	7.5
30-40-50	30				4.5	11
40-50-75	40				8	20
50-75-100	50				9	22.5
75-100-150	75				12	30
100-150-200	100				16	40
150-200-300	150				24	60
200-300-400	200、250				32	80
300-400-500	300				45	
400-500-600	400				60	100
500-600-800	500-1000				80	
600-800-1000						

JLSZV2-6、10W

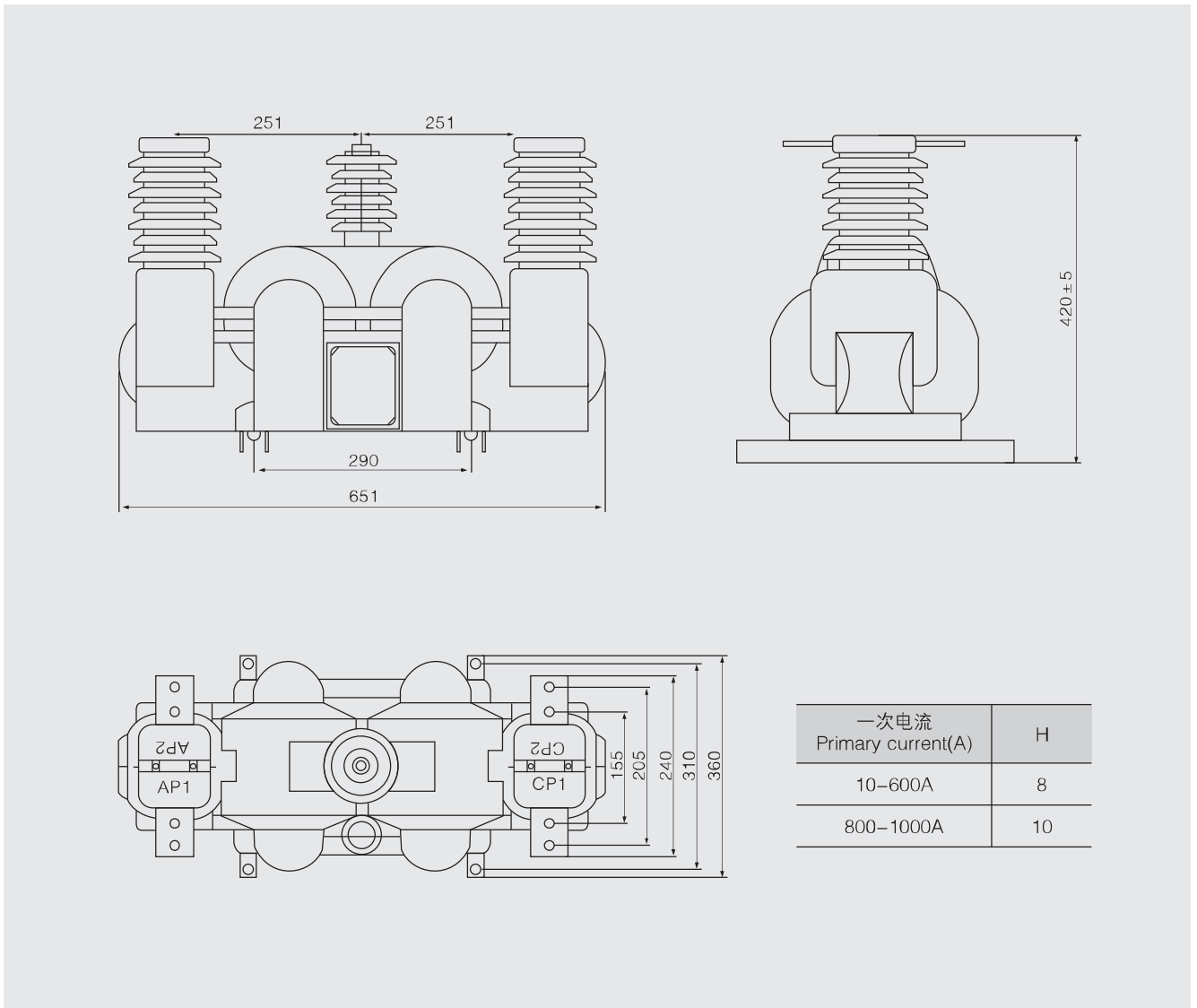
型户外电压互感器 OUTDOOR VOLTAGE TRANSFORMER



上海互凌

Shanghai Huling Electric Co.,Ltd.

外形及安装尺寸 Overall dimension drawing



接线图 Wiring diagram

