



### 技术参数 Technical data

- 组合互感器符合国家标准GB17201-2006《组合互感器》的规定；  
Combined transformer conforms to given provisions in GB17201-2006 《combined transformer》；
- 电流互感器符合国家标准GB1208-2006《组合互感器》的规定；  
Current transformer conforms to given provisions in GB1208-2006 《combined transformer》；
- 电压互感器符合国家标准GB1207-2006《组合互感器》的规定；  
Voltage transformer conforms to given provisions in GB1207-2006 《combined transformer》；
- 在产品安装近1米内必须安装氧化锌避雷器，为防雷保护。  
The zinc oxide arrester must be installed at certain position with less-than-one meter distance away from product's installation place, for lightning protection.



#### 电压互感器 Voltage transformer

型号 Type	额定电压比 Rated voltage ratio (A)	准确级 Accuracy classes	额定输出 Rated output (VA)	极限输出 Limit output (VA)	额定绝缘水平 Rated insulation level (kV)
JLSZW-6、10	3000/100	0.2	15	300	3.6/25/40
	6000/100		30		7.2/32/60
	10000/100	0.5	12/42/75		

#### 电流互感器 Current transformer

型号 Type	额定电压比 Rated voltage ratio (A)	准确级 Accuracy classes	额定输出 Rated output (VA)	额定短时热电流 (I <sub>th</sub> ) Rated short-time thermal current (kA)	额定动稳定电流 (I <sub>dyn</sub> ) Rated dynamic current (kA)	额定绝缘水平 Rated insulation level (kV)
JLSZW-6、10	5-400/5	0.2S 0.2	10 15	100 I <sub>1n</sub>	2.5 I <sub>1th</sub>	12/42/75

### 概述 Description

本型组合互感器（又称计量箱）由电压、电流互感器组合而成。产品供交流50Hz，额定电压10kV以下三相线路中，供电压、电流和电能测量及继电器保护用，适用于城网，农网户外变电站，也可用于工业企业各种变压器配电所等。组合互感器配有有功、无功电度表称为高压电力计量箱。本产品可取代油浸式组合互感器（计量箱）。

This model combined transformer (another name is metering tank) is composed of voltage and current transformer, it is applied to three-phase circuit of AC50Hz and rated volt being 10kV suitable for urban and rural power network outdoor transformer substation in addition to kinds of volt transformer substations in industrial enterprise. Adding active and reactive energy meter onto combined transformer is named as high volt power metering tank. This product could replace oil immersed type combined transformer (metering tank).

### 结构特点 Characteristic of structure

电压互感器由户内环氧树脂浇注结构，铁芯为外露式，用优质冷轧取向硅钢片叠装而成，在中心柱上装置一次及二次线圈。

电流互感器也由户内环氧树脂浇注结构，铁芯为封闭式，用优质冷轧取向硅钢片卷制而成。

二个电压互感器（PT）、二个电流互感器（CT）通过组合装在一个封闭的铁箱内，形成一体。

Voltage transformer possesses indoor epoxy resin casting mechanism, its iron core is exposed, with lapping mechanism of super-quality grain-oriented cold-rolled silicon steel sheet, the primary and secondary coil are installed onto center post.

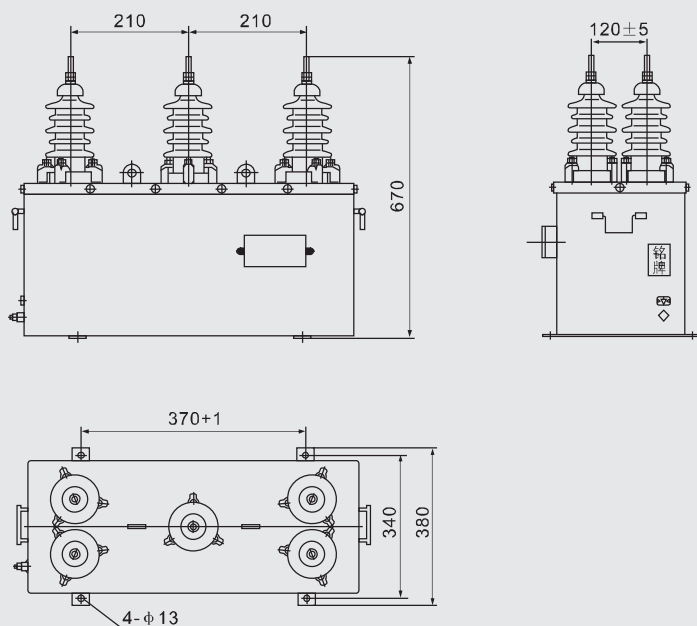
Current transformer possesses epoxy resin casting mechanism; its iron core is closed, with rolling mechanism of super-quality grain-oriented cold-rolled silicon steel sheet.

Two volt transformers (PT) and two current transformers (CT) are installed into one sealed iron box, forming one body.

### 外形及安装尺寸 Overall dimension drawing

JLSZW-6kV、10kV “V/V” 接法三相三线二元件

JLSZW-6kV、10kV “V/V” wiring mode three-phase three-line two-component



JLSZW-10

# JLSZW-10(GY)

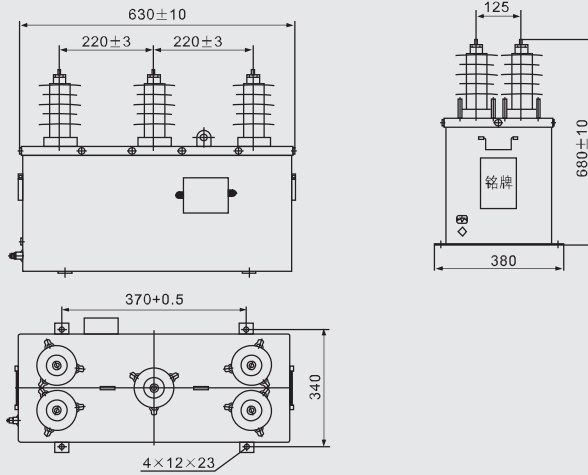
计量箱 TYPE OUTDOOR DRY TYPE COMBINED TRANSFORMER



# 上海互凌

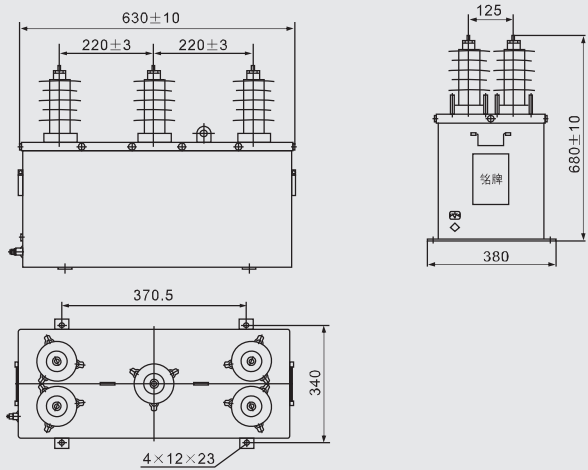
Shanghai Huling Electric Co.,Ltd.

JLSZW-6kV、10kV “V/V” 接法三相三线二元件（高原型户外干式计量箱）  
 JLSZW-6kV、10kV “V/V” wiring mode three-phase three-line two-component



JLSZW-10(GY)

JLSZW-6kV、10G “V/V” 接法三相三线二元件（瓷瓶采用硅橡胶）  
 JLSZW-6kV、10G “V/V” wiring mode three-phase three-line two-component (The porcelain insulator uses the silica gel)



JLSZW-10(G)

JLSZW<sub>3</sub>-6kV、10kV “Y/Yo” 接法三相四线三元件  
 JLSZW<sub>3</sub>-6kV、10kV “Y/Yo” wiring mode three-phase four-line three-component

