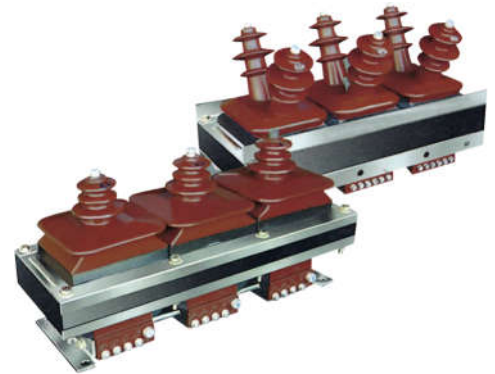


户内 三相 环氧树脂浇注式
INDOOR THREE-PHASE EPOXY RESIN CASTING TYPE

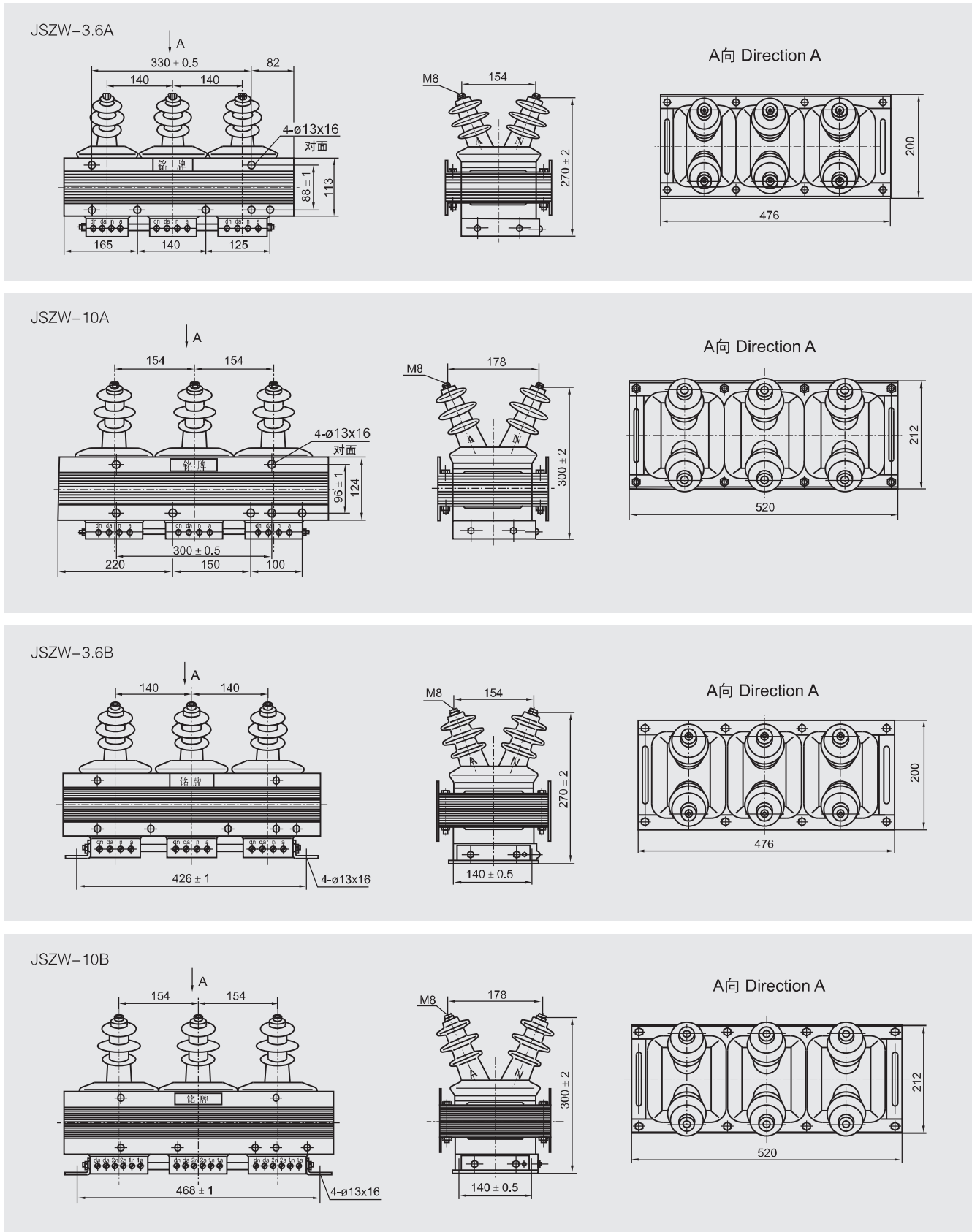
技术参数 Technical data

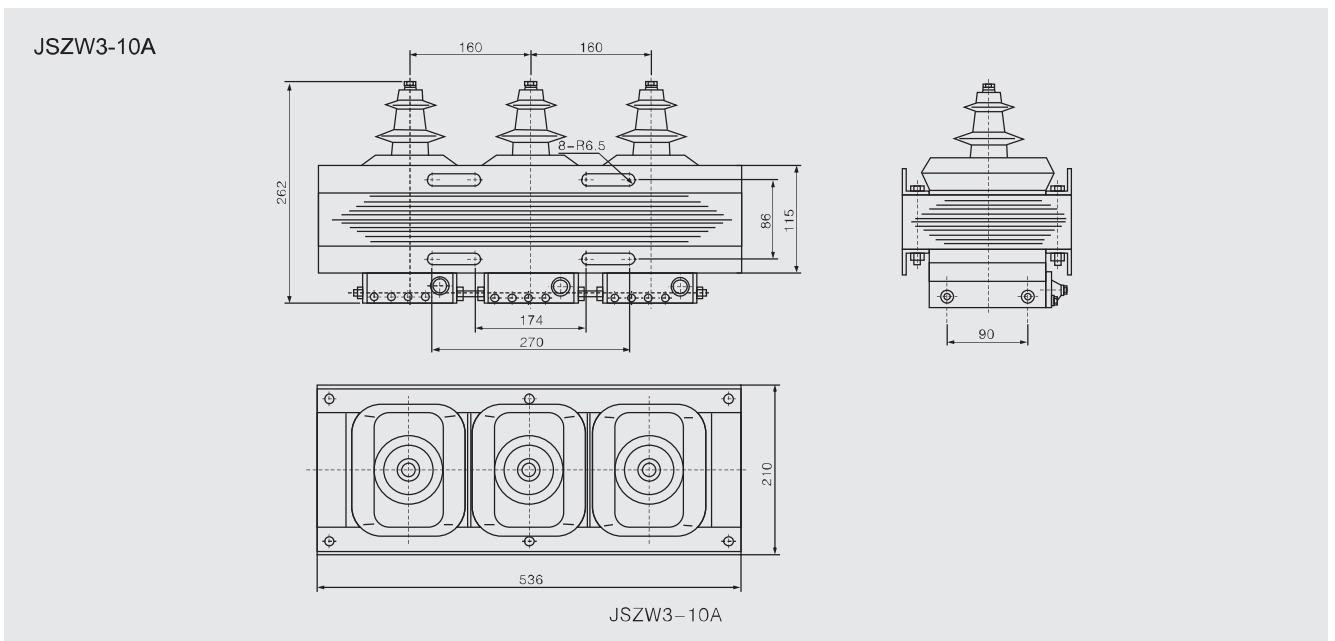
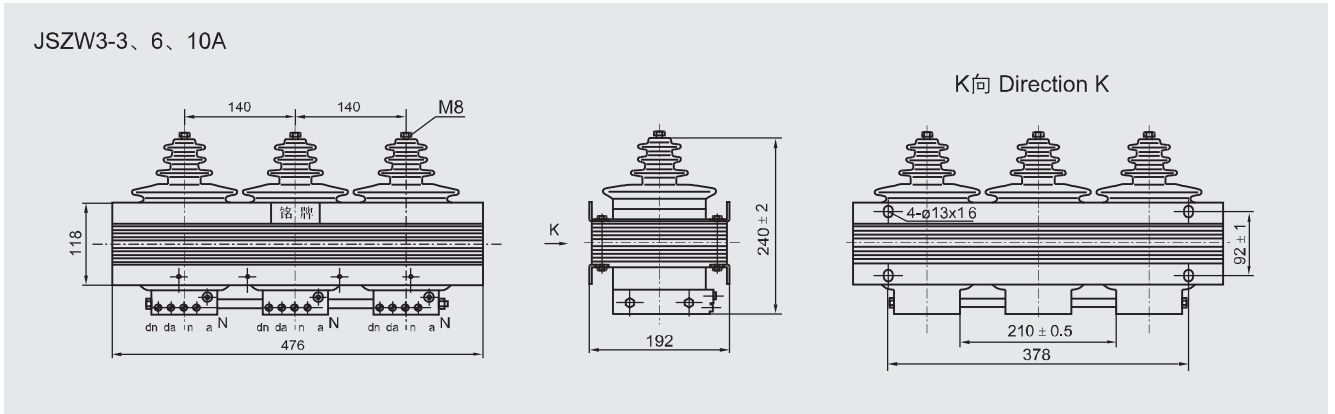
- 产品性能符合标准 GB1207和IEC60044-2
The voltage transformers are in accordance with GB1207 and IEC60044-2 standards
- 额定绝缘水平 12/42/75、7.2/32/60kV
Rated insulation level 12/42/75、7.2/32/60kV
- 额定频率50Hz或60Hz
Rated frequency 50Hz or 60Hz



| 型号 Type | 额定电压比 Rated voltage ratio (V) | 额定二次输出 Rated secondary output(VA) | | | | | | | 极限输出 Max.output (VA) | 额定绝缘水平 Rated insulation level (kV) | 接线图 Wiring diagram |
|------------------------|--|-----------------------------------|-----|-----|-----|--------------------|---------|----------|----------------------------|--|--------------------------|
| | | 0.2 | 0.5 | 1级 | 3级 | 0.2/0.2 0.2/0.5 | 0.5/0.5 | 6P | | | |
| JSZW-3A JSZW-3B | $\frac{3000}{\sqrt{3}} / \frac{100}{\sqrt{3}} / \frac{100}{3}$ | 45 | 90 | 150 | 300 | / | / | 75 | 600 | 3.6/23/40 | 图1 Figure 1 |
| JSZW-6A JSZW-6B | $\frac{6000}{\sqrt{3}} / \frac{100}{\sqrt{3}} / \frac{100}{3}$ | | | | | | | | | 7.2/32/60 | |
| JSZW-10A JSZW-10B | $\frac{10000}{\sqrt{3}} / \frac{100}{\sqrt{3}} / \frac{100}{3}$ | 60 | 90 | 150 | 300 | / | / | 12/42/75 | | | |
| JSZW-6A JSZW-6B | $\frac{6000}{\sqrt{3}} / \frac{100}{\sqrt{3}} / \frac{100}{\sqrt{3}} / \frac{100}{3}$ | / | / | / | / | 30/30 | 60/60 | 450/450 | 7.2/32/60 | 图2 Figure 2 | |
| JSZW-10A JSZW-10B | $\frac{10000}{\sqrt{3}} / \frac{100}{\sqrt{3}} / \frac{100}{\sqrt{3}} / \frac{100}{3}$ | | | | | | | | 12/42/75 | | |
| JSZW3-3A JSZW3-3B | $\frac{3000}{\sqrt{3}} / \frac{100}{\sqrt{3}} / \frac{100}{3}$ | 45 | 90 | 150 | 300 | / | / | 120 | 600 | 图1 Figure 1 | |
| JSZW3-6A JSZW3-6B | $\frac{6000}{\sqrt{3}} / \frac{100}{\sqrt{3}} / \frac{100}{3}$ | | | | | | | | 7.2/32/60 | | |
| JSZW3-10A JSZW3-10B | $\frac{10000}{\sqrt{3}} / \frac{100}{\sqrt{3}} / \frac{100}{3}$ | 60 | 150 | 240 | 600 | / | / | | 600 | | |
| | $\frac{10000}{\sqrt{3}} / \frac{100}{\sqrt{3}} / \frac{100}{\sqrt{3}} / \frac{100}{3}$ | / | / | / | / | 45/45 45/60 | 90/90 | 300/300 | 12/42/75 | 图2 Figure 2 | |

外形及安装尺寸 Overall dimension drawing





接线图 Wiring diagram

