

户内 单相 环氧树脂浇注式
INDOOR SINGLE-PHASE EPOXY RESIN CASTING TYPE

技术参数 Technical data

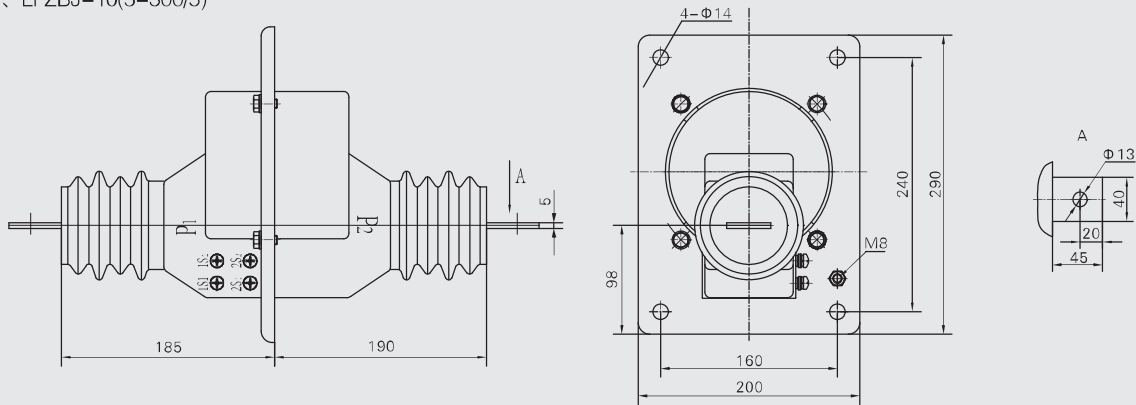
- 产品性能符合标准 GB1208和IEC60044-1
The current transformers are in accordance with GB1208 and IEC60044-1 standards
- 额定绝缘水平 12/42/75kV
Rated insulation level 12/42/75kV
- 额定频率50Hz或60Hz
Rated frequency 50Hz or 60Hz
- 额定二次电流：5A或1A
Rated secondary current 5A or 1A
- 环境温度：-5℃~+40℃
Ambient temperature -5℃~+40℃



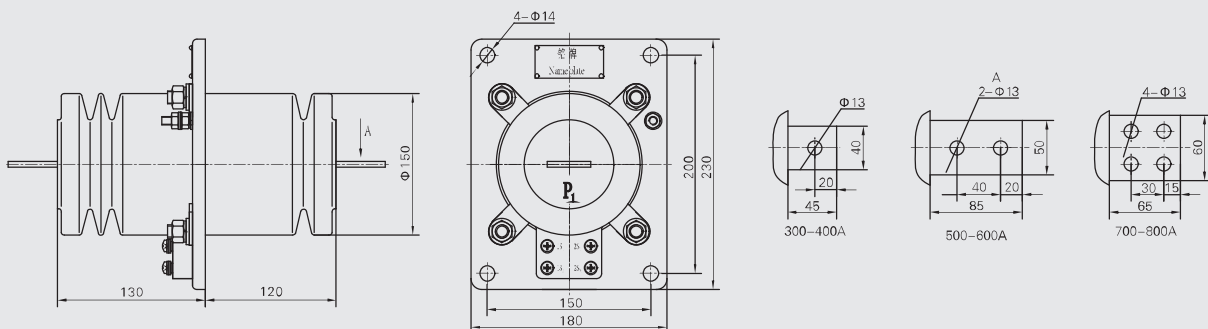
额定一次电流 Rated primary current(A)	一秒热稳定电流 1s thermal current(kA)	动稳定电流 Rated dynamic current(kA)	准确级组合 Accuracy classes combination	额定二次输出 Rated secondary output(VA)			表面爬电距离 (mm)	重量(kg)
				0.2,0.2S	0.5	10P10		
5	0.45	1.12	0.2S/10P 0.2/10P 0.5/10P 0.2S/0.2 0.2S/0.5 0.2/0.5	10	10	15	LA-10 265 LA-10G 265	14
10	0.9	2.25						
15	1.35	3.37						
20,25	1.8	4.5						
30	2.25	5.63						
40	3.6	9						
50,60	4.5	11.25						
75	6.75	16.87						
100	9	22.5						
150	13.5	33.75						
200,250	18	45						
300	30	75					230	13.5
400	40	100						
500	50	100						
600	56	110						
750,800	75	110						
1000-1200	80	110	240	16				

外形及安装尺寸 Overall dimension drawing

LA-10、LFZBJ-10(5-300/5)



LA-10(400-1000/5)



LFZBJ-10GY(300-1200/5)

