



## 户外 单相 油浸式

## OUTDOOR SINGLE-PHASE EPOXY RESIN CASTING TYPE

## 技术参数 Technical data

- 产品性能符合标准 GB1208和IEC60044-1  
The current transformers are in accordance with GB1208 and IEC60044-1 standards
- 额定绝缘水平 40.5/95/185kV  
Rated insulation level 40.5/95/185kV
- 额定二次电流：5A或1A  
Rated secondary current 5A or 1A
- 额定频率50Hz或60Hz  
Rated frequency 50Hz or 60Hz
- 环境温度：-25℃~+40℃  
Ambient temperature -25℃~+40℃



额定一次电流 Rated primary current(A)	准确级组合 Accuracy classes combination	额定二次输出 Rated secondary output(VA)				一秒热稳定电流 1s thermal current (kA)	动稳定电流 Rated dynamic current (kA)
		0.2(S)	0.5	10P10	10P20		
5-300	0.2(S)/10P10 0.5/10P10	30	40	40	30	100lin	200lin
400-2000	0.2(S)/10P20 0.5/10P20					40	102

## 概述 Description

本型电流互感器为油纸绝缘、户外型产品，适用于额定频率50Hz或60Hz、额定电压为35kV的电力系统中，作电能计量、电流测量和继电保护用。

本型电流互感器的器身装在充满变压油的油箱中，并经真空干燥和浸油处理，产品为全密封结构，能有效地防止油老化。

The current transformer of type LB6-35 is oil insulated and outdoor product. It is used for metering electric energy. Current and relay protection in electric system up to rated frequency 50Hz or 60Hz and rated voltage 35kV.

The body of this product, after being vacuum and oil treatment, is put in the oil tank full of transformer oil. Being a fully enclosed construction, it is effective to prevent oil from ageing.

## 外形及安装尺寸 Overall dimension drawing

额定一次电流 Rated primary current(A)	5-75A	100-600A	750-1000A	1200-1500A	1200-1500A
B	508		548	588	658
h	1335				1315
H	1495				1475

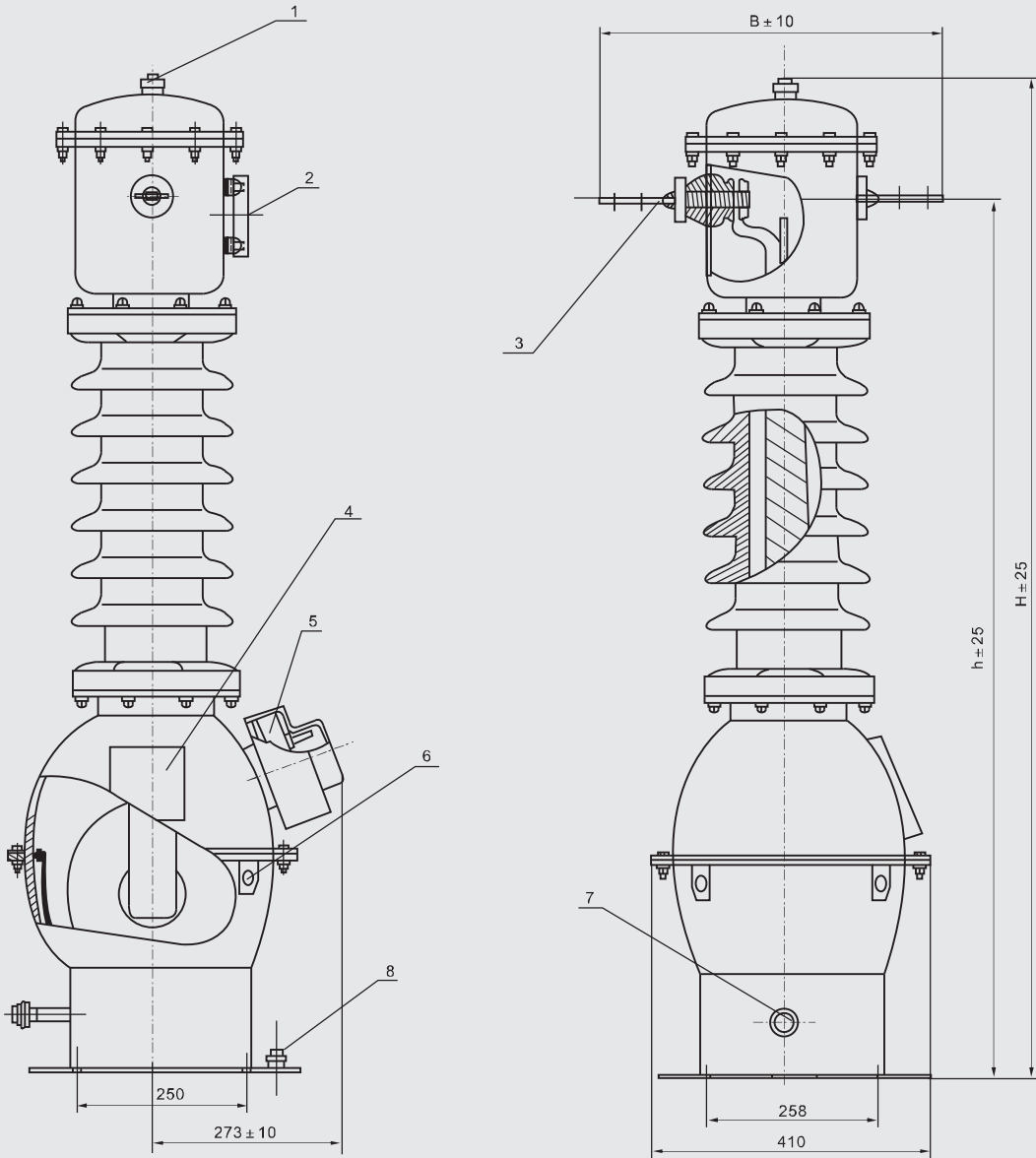
# LB6-35

型电流互感器 CURRENT TRANSFORMER



# 上海互凌

Shanghai Huling Electric Co.,Ltd.



1. 注油塞 2. 油位计 3. 出线端子 4. 铭牌 5. 二次接线盒 6. 吊攀 7. 油样活门 8. 接地螺栓

1.Oil filler plug 2.Oil-level gauge 3.Outlet terminal 4.Nameplate 5.Secondary terminal box 6.Hanger 7.Oil sample valve 8.Earth stud

