

LDJ1-10Q/210-Y

型电流互感器 CURRENT TRANSFORMER



上海互凌

Shanghai Huling Electric Co.,Ltd.

户内 单相 环氧树脂浇注式

INDOOR SINGLE-PHASE EPOXY RESIN CASTING TYPE

技术参数 Technical data

- 产品性能符合标准 GB1208和IEC60044-1
The current transformers are in accordance with GB1208 and IEC60044-1 standards
- 额定绝缘水平 12/42/75kV
Rated insulation level 12/42/75kV
- 额定二次电流: 5A或1A
Rated secondary current 5A or 1A
- 额定频率50Hz或60Hz
Rated frequency 50Hz or 60Hz
- 环境温度: -5°C~+40°C
Ambient temperature -5°C~+40°C

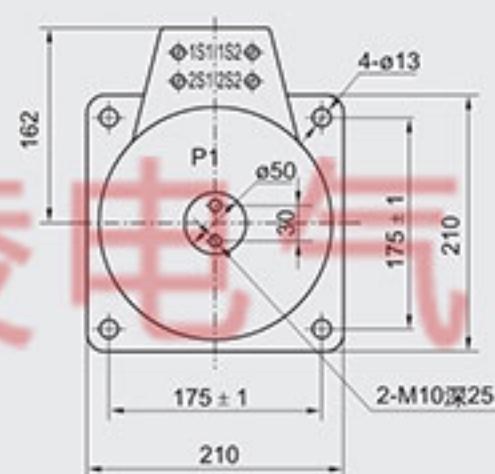
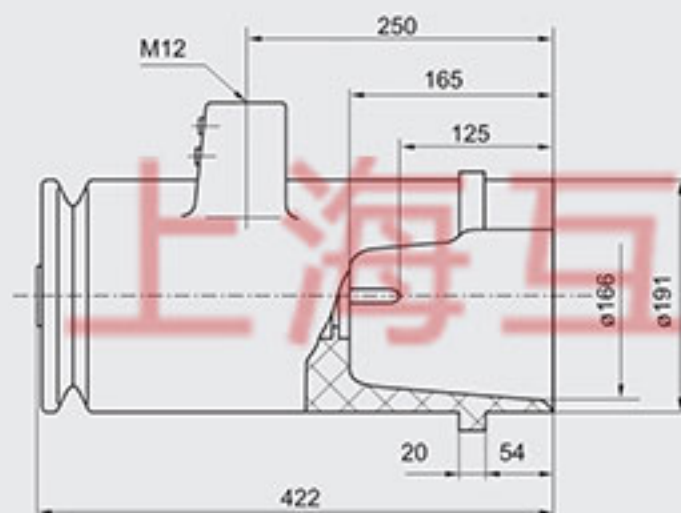


额定一次电流 Rated primary current(A)	准确级组合 Accuracy classes combination	额定二次输出 Rated secondary output(VA)				一秒热稳定电流 1s thermal current(kA)	动稳定电流 Rated dynamic current(kA)			
		0.2(S)	0.2	0.5	5P10					
5	0.2(S)/0.2(S) 0.2(S)/0.5(S) 0.5(S)/0.5(S) 0.2(S)/5P10 0.5(S)/5P10	10	10	15	15	0.6	1.5			
10						1.1	2.75			
15						1.7	4.25			
20、25						2.7	6.75			
30						4	10			
40						5	12.5			
50						9	22.5			
75						13.5	33			
100						18	45			
150						27	63			
200、250						10	100			
300、400						63				
500、800						80				
1000、1250						15	15	20	80	130
						20	20	25		

021-31263351
www.ddg.cc

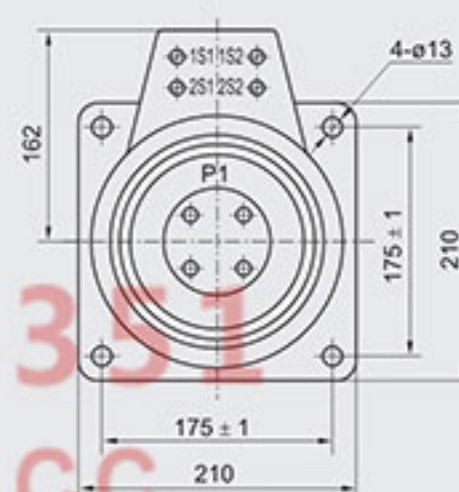
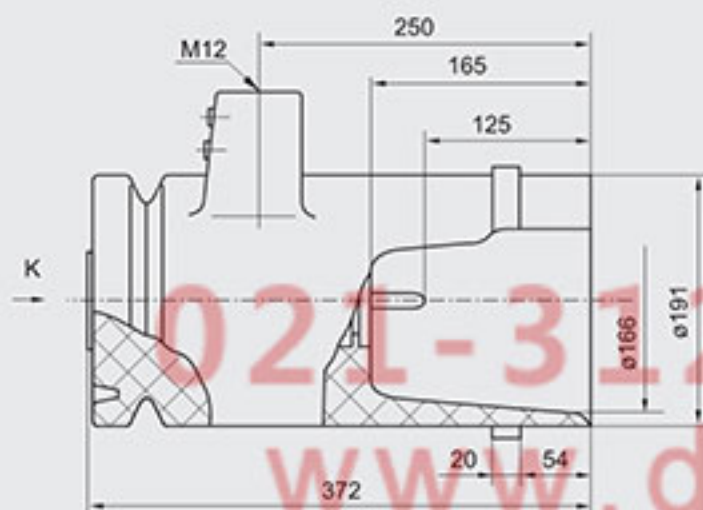
外形及安装尺寸 Overall dimension drawing

LDJ1-10Q/210-Y 5-250A



静触头截面60×10

LDJ1-10Q/210-Y 300-1250A



300-630A
静触头截面60×10

K向 DirectionK



750-1250A
静触头截面80×10