

户内 单相 环氧树脂浇注式 Indoor single-phase epoxy resin casting type

技术参数 Technical Data

- 产品性能符合标准GB1208和IEC60044-1
- 额定绝缘水平40.5/95/185kV
- 额定频率50Hz或60Hz
- 额定二次电流：5A或1A
- 环境温度：-5°C ~ +40°C
- The current transformers are in accordance with GB1208 and IEC60044-1 standards
- Rated insulation level 40.5/95/185kV
- Rated frequency 50Hz or 60Hz
- Rated secondary current 5A or 1A
- Ambient temperature -5°C ~ +40°C

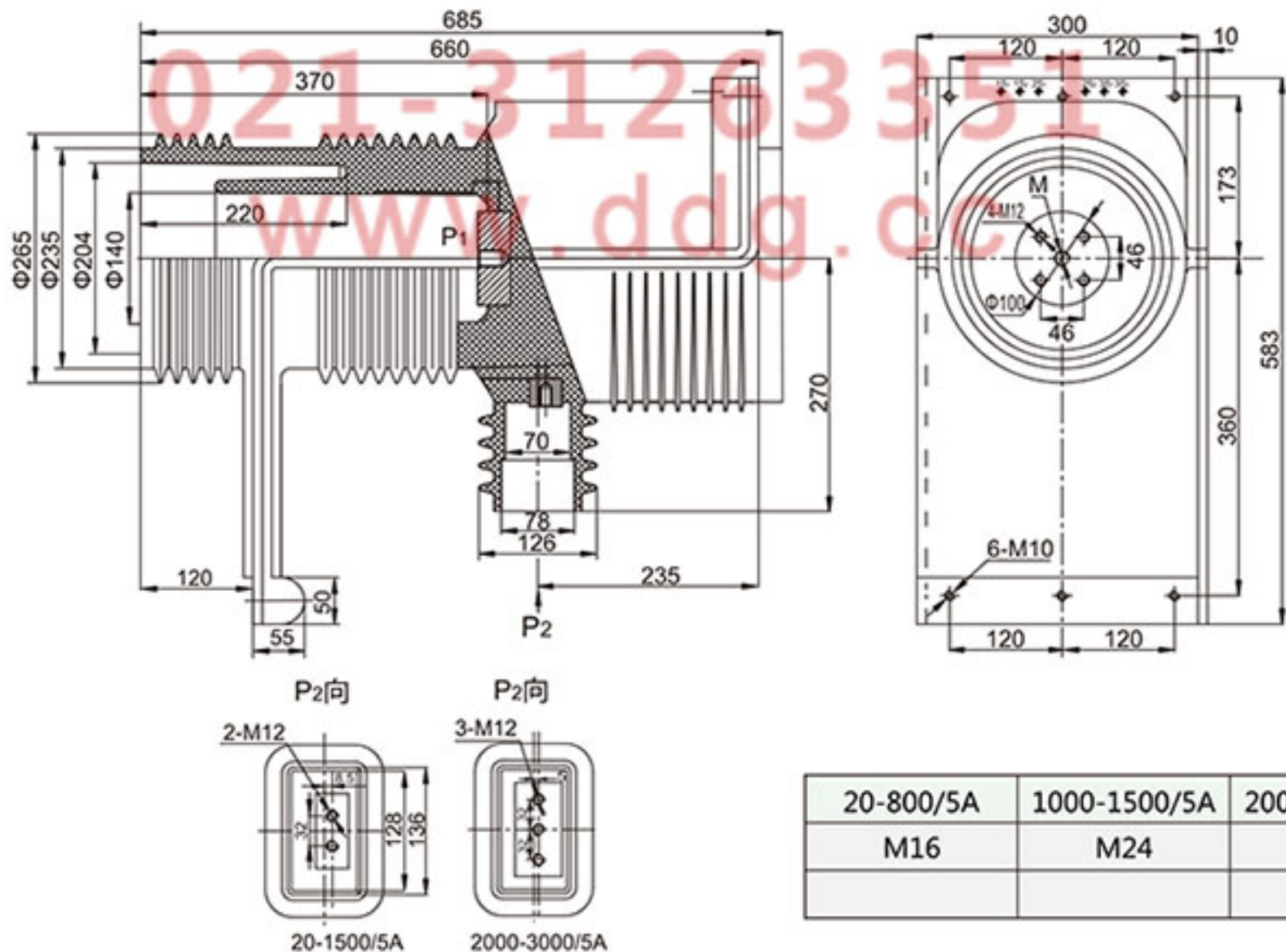


额定一次 电流(A) Rated primary current	准确级及额定输出(VA) COSΦ=0.8 Accuracy class and relative rated output				短时热电流(kA/s) Short-time thermal current	额定动稳 定电流(kA) Rated dynamic current
	0.2(S)/10P10	0.5/10P10	0.2(S)/0.5	10P10/10P10		
20-300	10/30	20/30	10/20	20/20	150I _{ln}	375I _{ln}
400	10/40	15/40	10/15	20/20	63	130
500	10/40	15/40	10/15	25/25		
600	10/30	30/30	10/30	30/30		
800	15/50	30/50	15/30	30/30		
1000-1500	20/50	50/50	20/50	40/40	80	160
2000-3000	30/50	50/50	20/50	50/50	100	

注：如用户要求的参数超出上表范围，可与我公司协商后确定。
Note: if user's data go beyond the above-mentioned scope, they may be subject to an agreement between manufacturer and purchaser.

外形尺寸图 Overall Dimensions

LDJ8-35



20-800/5A	1000-1500/5A	2000-3150/5A
M16	M24	M24
		4-M12