

户内 单相 环氧树脂浇注式 Indoor single-phase epoxy resin casting type

技术参数 Technical Data

- 产品性能符合标准GB1208和IEC60044-1
- 额定绝缘水平40.5/95/185kV
- 额定频率50Hz或60Hz
- 额定二次电流：5A或1A
- 环境温度：-5°C ~ +40°C
- The current transformers are in accordance with GB1208 and IEC60044-1 standards
- Rated insulation level 40.5/95/185kV
- Rated frequency 50Hz or 60Hz
- Rated secondary current 5A or 1A
- Ambient temperature -5°C ~ +40°C



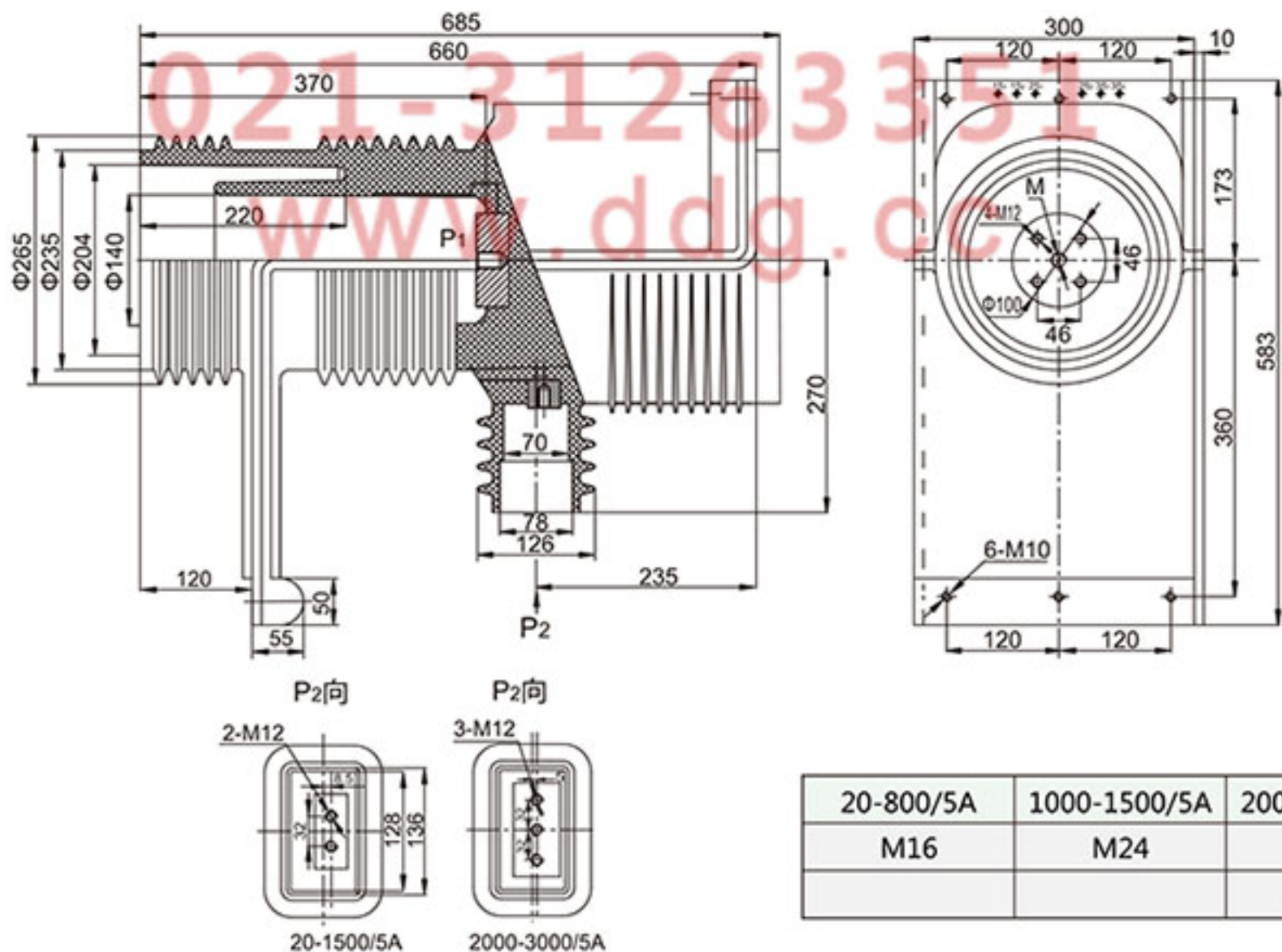
| 额定一次 电流(A) Rated primary current | 准确级及额定输出(VA) COSΦ=0.8 Accuracy class and relative rated output | | | | 短时热电流(kA/s) Short-time thermal current | 额定动稳 定电流(kA) Rated dynamic current |
|-------------------------------------------|-------------------------------------------------------------------|-----------|------------|-------------|----------------------------------------------|---------------------------------------------|
| | 0.2(S)/10P10 | 0.5/10P10 | 0.2(S)/0.5 | 10P10/10P10 | | |
| 20-300 | 10/30 | 20/30 | 10/20 | 20/20 | 150I _{ln} | 375I _{ln} |
| 400 | 10/40 | 15/40 | 10/15 | 20/20 | 63 | 130 |
| 500 | 10/40 | 15/40 | 10/15 | 25/25 | | |
| 600 | 10/30 | 30/30 | 10/30 | 30/30 | | |
| 800 | 15/50 | 30/50 | 15/30 | 30/30 | | |
| 1000-1500 | 20/50 | 50/50 | 20/50 | 40/40 | 80 | 160 |
| 2000-3000 | 30/50 | 50/50 | 20/50 | 50/50 | 100 | |

注：如用户要求的参数超出上表范围，可与我公司协商后确定。

Note: if user's data go beyond the above-mentioned scope, they may be subject to an agreement between manufacturer and purchaser.

外形尺寸图 Overall Dimensions

LDJ8-35



| | | |
|-----------|--------------|--------------|
| 20-800/5A | 1000-1500/5A | 2000-3150/5A |
| M16 | M24 | M24 |
| | | 4-M12 |