

# LJ-1、2、4、7

型零序电流互感器 RESIDUAL CURRENT TRANSFORMER

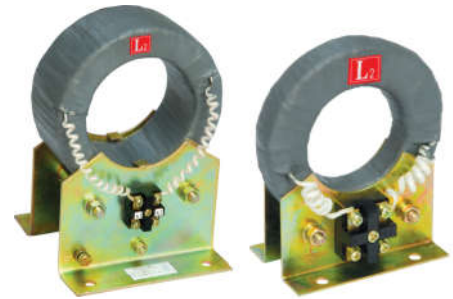


上海互凌

Shanghai Huling Electric Co., Ltd.

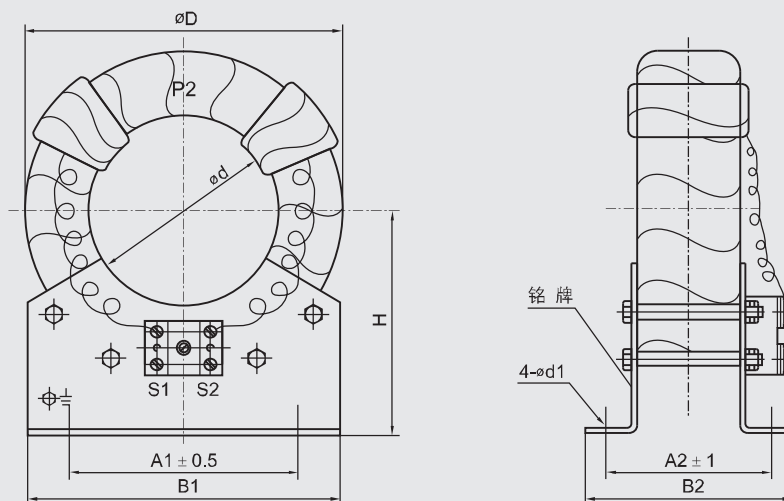
## 技术参数 Technical data

- 额定频率50Hz或60Hz  
Rated frequency 50Hz or 60Hz
- 用于额定电压35kV及以下的小接地电流系统中供电电缆接地保护用  
They are used for overdriven current protection in the electric non-useful-ground neutral system up to rated voltage 35kV.
- 与本型电流互感器配套使用的继电器型号为DL-11/0.2  
The type of the relay fitting with the transformers is DL-11/0.2.
- 本型零序电流互感器一次主绝缘由电缆保证，产品仅考核二次绕组的绝缘性能，二次绕组对地耐压为3kV一分钟。  
Because the cable protects the primary main insulation, so, the insulation characteristics of secondary winding are only examined. The secondary winding can be able to withstand the power frequency test voltage of 3kV to ground.



型号 Type	变比 Transformation ratio (A)	二次负荷 Secondary load (W)	继电器型号 Relay type	整定电流 (继电器绕组并联) Setting current (Relay winding parallel connection) (A)	使继电器动作的 一次剩余电流 Primary residual current of relay acting (A)	二次回路中 不平衡电压 Unbalanced voltage of secondary loop (mV)	重量 Weight (kg)
LJ-1	20/1	10	DD-11/60	0.03	1-3	40	2.3
LJ-2	25/1						19
LJ-4	30/1						28
LJ-7	35/1					30	32

## 外形及安装尺寸 Overall dimension drawing



规格 Spec	D	d	d1	A1	A2	B1	B2	H
LJ-1	145	82	9	80	60	130	80	103
LJ-2	230	110	13	150	160	200	200	180
LJ-4	285	140	15	220	130	280	175	195
LJ-7/Φ185	310	185				280	175	220
LJ-7/Φ200	320	200				300	175	225
LJ-7/Φ240	410	240			150	300	240	270