

户外 单相 油浸式  
OUTDOOR SINGLE-PHASE EPOXY RESIN CASTING TYPE

技术参数 Technical data

- 产品性能符合标准 GB1208和IEC60044-1  
The current transformers are in accordance with GB1208 and IEC60044-1 standards
- 额定绝缘水平 40.5/95/185kV  
Rated insulation level 40.5/95/185kV
- 额定二次电流: 5A或1A  
Rated secondary current 5A or 1A
- 额定频率50Hz或60Hz  
Rated frequency 50Hz or 60Hz
- 环境温度: -25°C~+40°C  
Ambient temperature -25°C~+40°C



型号 Type	电压等级 Voltage class (kV)	额定电流比 Rated current ratio (A)	计量0.2级、容量 $\cos\phi=0.8$ Measurement class 0.2, capacity(VA)	继保1级容量 Capacity for Class 1 relay protection
LJW-10	10	5-400/5	10-15	无继保无监控 Without relay protection or monitoring
LJW-35	35	5-600/5	30-50	无继保无监控 Without relay protection or monitoring
LJWD-10	10	5-400/5	10-15	15-30
LJWD-35	35	5-600/5	30-50	30-50

概述 Description

本型电流互感器是钢箱油浸式，户外户内两用装置，供频率50Hz的系统中，做电流、电能测量及继电保护之用。

本型互感器允许在额定电流120%的情况下长期运行。适用于海拔高度不超过4000米，周围气温变化不超过-25°C~+40°C的地区。

本型互感器为单相油浸自冷气式适用于户外(户内)，互感器内装绝缘和冷却用的变压器油，并采用真空滤油和真空注油工艺。

10kV级油面距箱盖约为15mm，箱盖上面装有注油阀，(阀门上有气孔)并有防雨、雪护盖。35kV级套管上装有储油壶，储油壶内有隔膜，使变压器不与空气接触，减缓了油的氧化速度。互感器热稳定75倍，动稳定187.5倍。本产品分单变比单次级，单变比双次级，双变比单次级，双变比双次级四种型式。其中测量用CT为0.2级，继保监控用CT分别有0.2、0.5、1、3(D)级等。

The type current transformer is a kind of steel tank oil-immersed type of current transformer providing current and electric energy measurement and relaying protection to system with the frequency of 50Hz.

The type current transformer carries out the long operation under the conditions for 20% of rated current, it is used in the fields of altitude not exceed 4000m, and max. Change of ambient temperature not exceed -25°C~+40°C.

The type transformer is made of single-phase oil-immersed type self-cooling type, which can be used indoors or outdoors. There are insulation and oil for cool down the transformer installed inside the transformer. It adopts vacuum oil-filter and vacuum oiling arts.

The type distance between class 10kV fuel and cover is about 15mm, there is an oiling valve installed above the cover, (there is an air hole on the valve) with water-proof and snow-proof cover. There is an oil tank inside the class 35kV tube, the diaphragm inside the oil tank can make the oil be separated from the air, which decreases the oil oxidizing speed. Transformer thermal stability 75 times and dynamic stability 187.5 times. The product has four models: Single-ratio single secondary, single ratio double secondary, double ratio single secondary and double ratio double secondary. Ct for measurement, it is class 0.2, CT for continuous protection control, it is class 0.2, 0.5 and 1,3(D), etc.

外形及安装尺寸 Overall dimension drawing

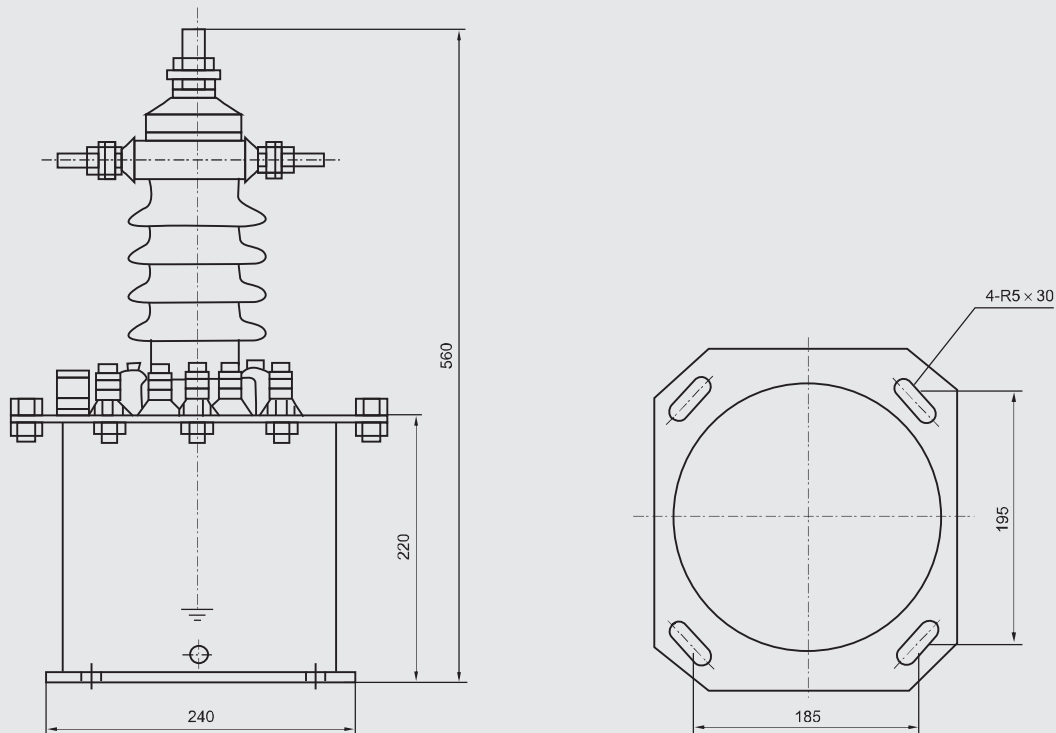


图1 LJW-10(单级次)外形及安装尺寸图  
Fig1 Overall and installation dimension of LJW-10(Single-Class)

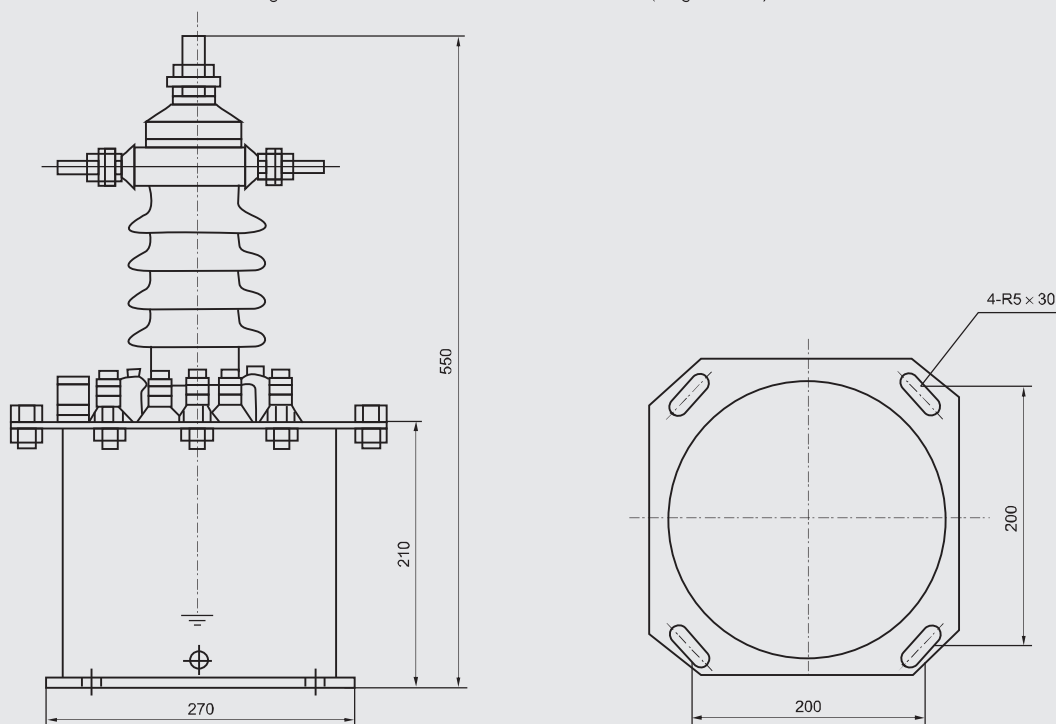


图2 LJWD-10(双级次)外形及安装尺寸图  
Fig2 Overall and installation dimension of LJWD-10(Double-Class)

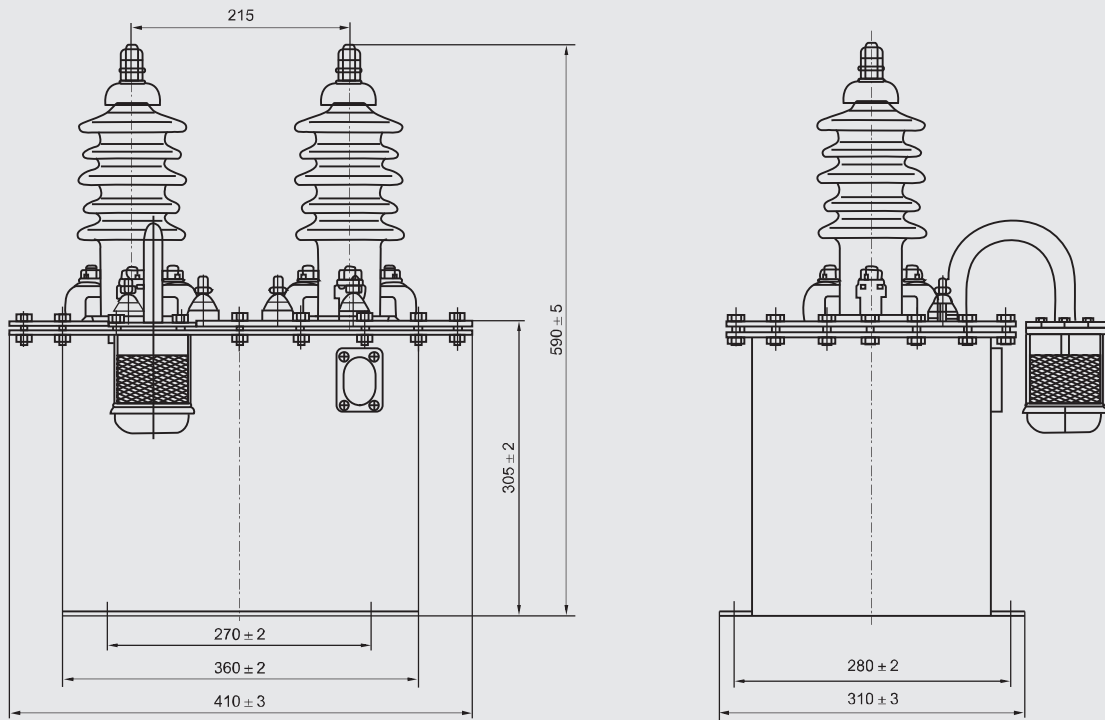


图3 LJW(D)-10外形及安装尺寸图  
Fig3 Overall and installation dimension of LJW(D)-10

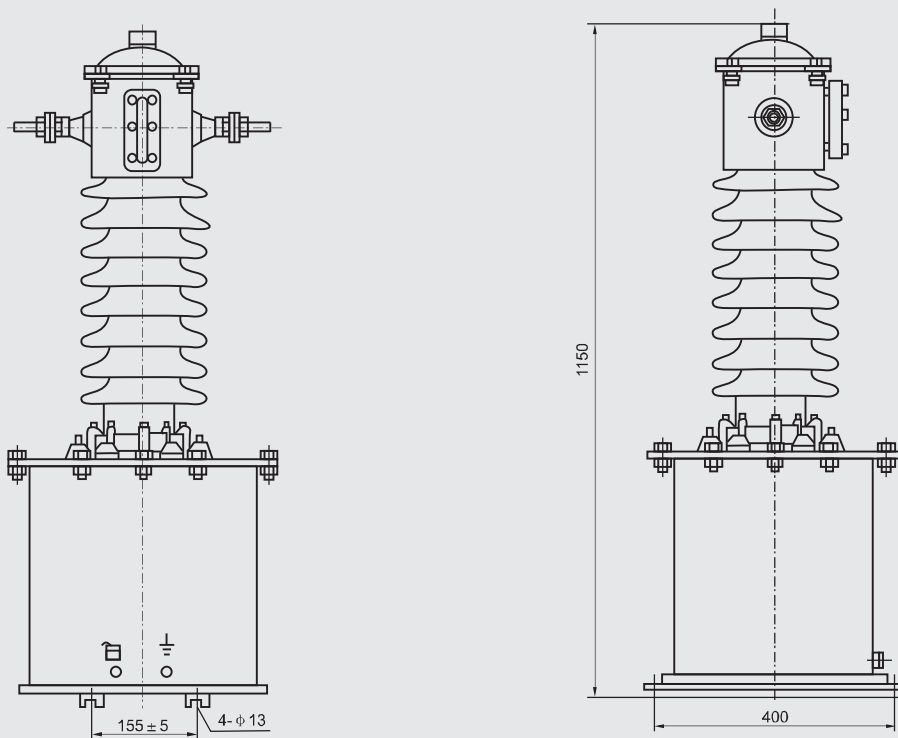


图4 LJW(D)-35外形及安装尺寸图  
Fig4 Overall and installation dimension of LJW(D)-35