



技术参数 Technical data

- 产品性能符合标准 GB1208和IEC60044-1
The current transformers are in accordance with GB1208 and IEC60044-1 standards
- 额定电压：0.66kV
Rated voltage 0.66kV
- 额定二次电流：5A或1A
Rated secondary current 5A or 1A
- 额定频率50Hz或60Hz
Rated frequency 50Hz or 60Hz
- 环境温度：-5℃~+40℃
Ambient temperature -5℃~+40℃



| 型号 Type | 额定电流比 Rated Current ratio (A) | 额定二次输出 Rated secondary output(VA) | | | 穿心匝数 Cross-core turn number |
|-----------------|-------------------------------------|-----------------------------------|---------|-------|--------------------------------|
| | | 0.5 级 | 0.5 S 级 | 0.2 级 | |
| LMZ(J)1-0.66/30 | 100/5 | 5 | / | / | 1 |
| | 150/5 | 5 | 5 | 5 | 1 |
| | 200/5 | 5 | 5 | 5 | 1 |
| | 250/5 | 5 | 5 | 5 | 1 |
| | 300/5 | 5 | 5 | 5 | 1 |
| LMZ(J)1-0.66/40 | 150/5 | 5 | / | / | 1 |
| | 200/5 | 5 | / | / | 1 |
| | 250/5 | 5 | / | / | 1 |
| | 300/5 | 5 | / | / | 1 |
| | 400/5 | 5 | / | / | 1 |
| LMZ(J)1-0.66/50 | 400/5 | 5 | 5 | 5 | 1 |
| | 500/5 | 5 | 5 | 5 | 1 |
| | 600/5 | 5 | 5 | 5 | 1 |
| LMZ(J)1-0.66/60 | 400/5 | 5 | / | / | 1 |
| | 500/5 | 5 | / | / | 1 |
| | 600/5 | 5 | 5 | 5 | 1 |
| | 750/5 | 10 | 5 | 5 | 1 |
| | 800/5 | 10 | 5 | 5 | 1 |
| | 1000/5 | 10 | 5 | 5 | 1 |
| LMZ(J)1-0.66/80 | 600/5 | 10 | 5 | 5 | 1 |
| | 750/5 | 10 | 10 | 10 | 1 |
| | 800/5 | 10 | 10 | 10 | 1 |
| | 1000/5 | 10 | 10 | 10 | 1 |
| | 1200/5 | 10 | 10 | 10 | 1 |
| | 1500/5 | 10 | 10 | 10 | 1 |

| 型号 Type | 额定电流比 Rated Current ratio (A) | 额定二次输出 Rated secondary output(VA) | | | 穿心匝数 Cross-core turn number |
|------------------|-------------------------------------|-----------------------------------|---------|-------|--------------------------------|
| | | 0.5 级 | 0.5 S 级 | 0.2 级 | |
| LMZ(J)1-0.66/100 | 750/5 | 10 | 10 | 10 | 1 |
| | 800/5 | 10 | 10 | 10 | 1 |
| | 1000/5 | 10 | 10 | 10 | 1 |
| | 1200/5 | 10 | 10 | 10 | 1 |
| | 1500/5 | 10 | 10 | 10 | 1 |
| | 2000/5 | 20 | 20 | 20 | 1 |
| LMZ(J)1-0.66/130 | 1500/5 | 10 | 10 | 10 | 1 |
| | 2000/5 | 20 | 20 | 20 | 1 |
| | 2500/5 | 20 | 20 | 20 | 1 |
| | 3000/5 | 20 | 20 | 20 | 1 |
| LMZ(J)1-0.66/170 | 3000/5 | 20 | 20 | 20 | 1 |
| | 4000/5 | 40 | 40 | 40 | 1 |
| | 5000/5 | 40 | 40 | 40 | 1 |
| | 6000/5 | 40 | 40 | 40 | 1 |

外形及安装尺寸 Overall dimension drawing

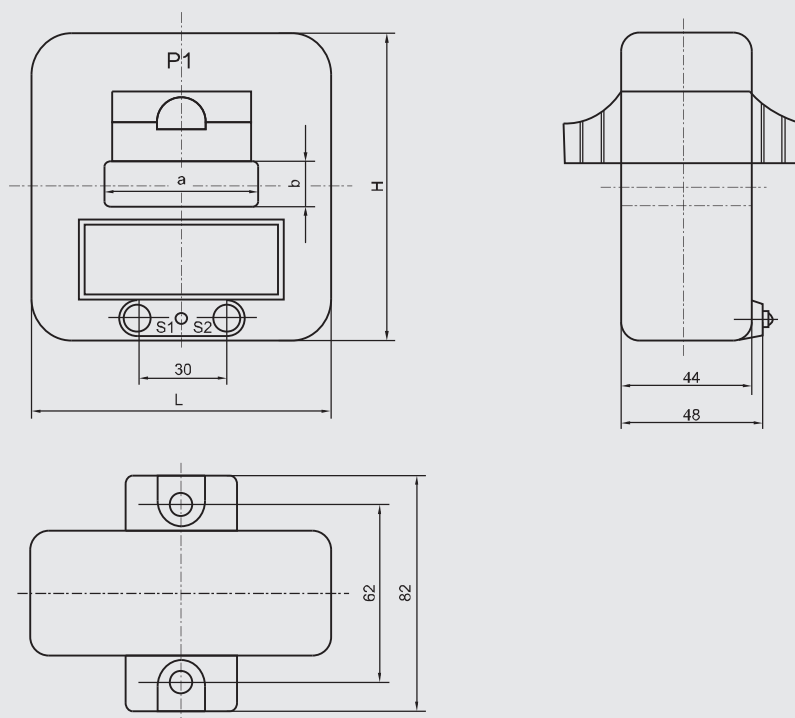


图1 Figure 1

LMZ(J)1-0.66

型电流互感器 CURRENT TRANSFORMER

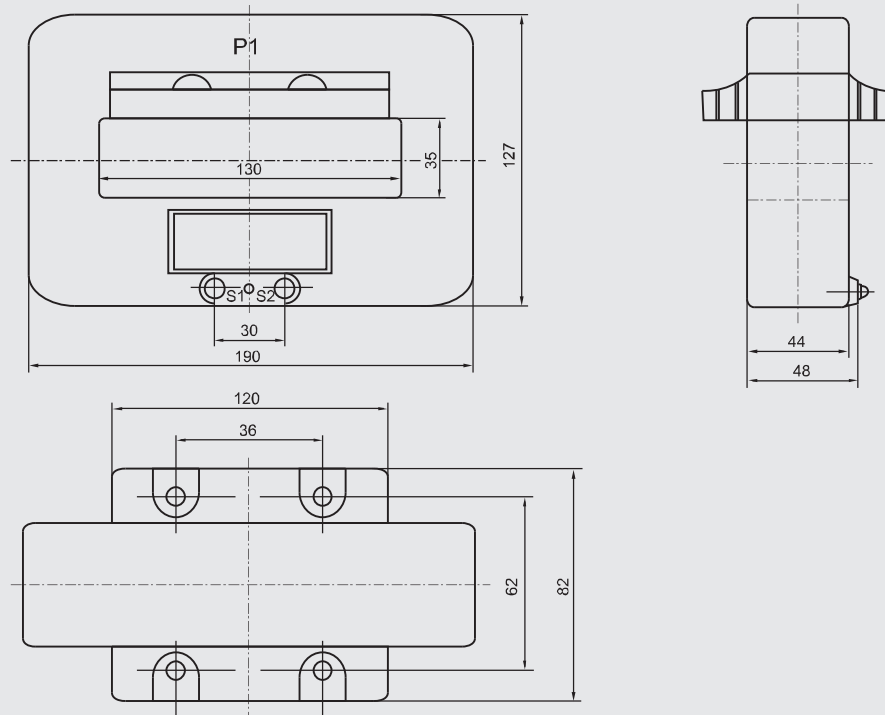


上海互凌

Shanghai Huling Electric Co.,Ltd.

| 型号 Type | H | L | a | b | 备注 Notes |
|-----------------|-----|-----|-----|----|----------------|
| LMZ(J)-0.66/30 | 110 | 90 | 32 | 15 | 图1 Figure 1 |
| LMZ(J)-0.66/40 | 108 | 94 | 42 | 15 | |
| LMZ(J)-0.66/50 | 107 | 103 | 52 | 15 | |
| LMZ(J)-0.66/60 | 120 | 116 | 63 | 25 | |
| LMZ(J)-0.66/80 | 127 | 135 | 84 | 35 | |
| LMZ(J)-0.66/100 | 127 | 154 | 103 | 35 | |

LMZ(J)1-0.66/130



LMZ(J)1-0.66/170

