



技术参数 Technical data

- 产品性能符合标准 GB1208和IEC60044-1
The current transformers are in accordance with GB1208 and IEC60044-1 standards
- 额定电压：0.66kV
Rated voltage 0.66kV
- 额定二次电流：5A或1A
Rated secondary current 5A or 1A
- 额定频率50Hz或60Hz
Rated frequency 50Hz or 60Hz
- 环境温度：-5℃~+40℃
Ambient temperature -5℃~+40℃



额定电流比 Rated Current ratio (A)	额定输出 Rated output(VA)		
	0.5 级	0.5S 级	0.2 级
5/5	10	5	5
10/5	10	5	5
15/5	10	5	5
20/5	10	5	5
25/5	10	5	5
30/5	10	5	5
40/5	10	5	5
50/5	10	5	5
75/5	10	5	5
100/5	10	5	5
150/5	10	5	5
200/5	10	5	5
250/5	10	5	5
300/5	10	5	5
400/5	10	5	5
500/5	10	10	10
600/5	10	10	10
750/5	10	10	10
800/5	10	10	10
1000/5	10	10	10
1200/5	10	10	10
1500/5	10	10	10

LQG-0.66A

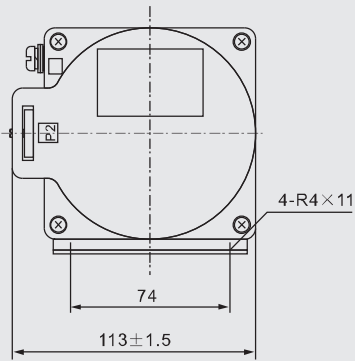
型电流互感器 CURRENT TRANSFORMER



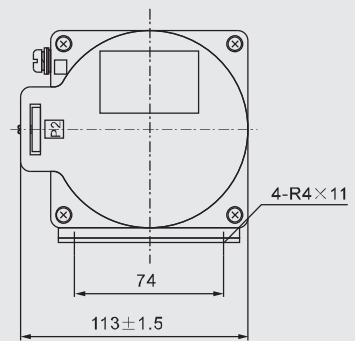
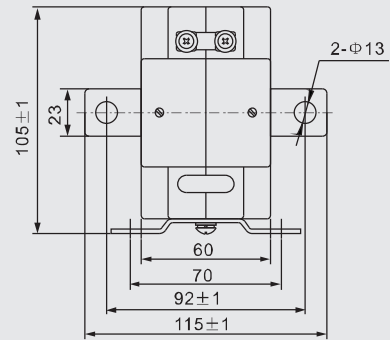
上海互凌

Shanghai Huling Electric Co.,Ltd.

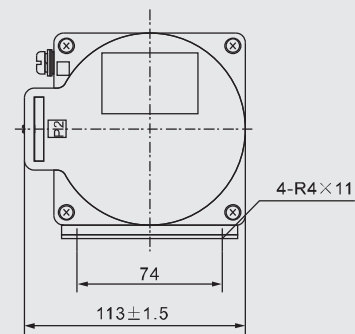
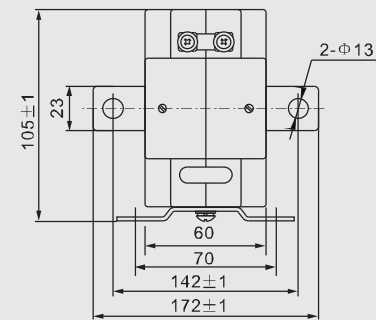
外形及安装尺寸 Overall dimension drawing



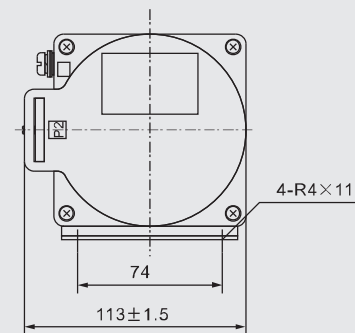
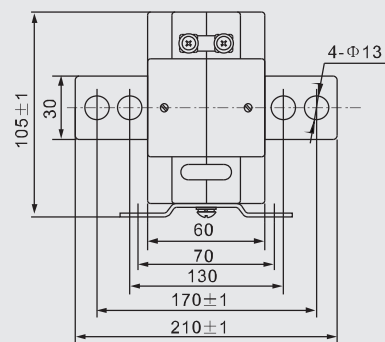
5-150A



200-400A



500-800A



1000-1500A

