

技术参数 Technical data

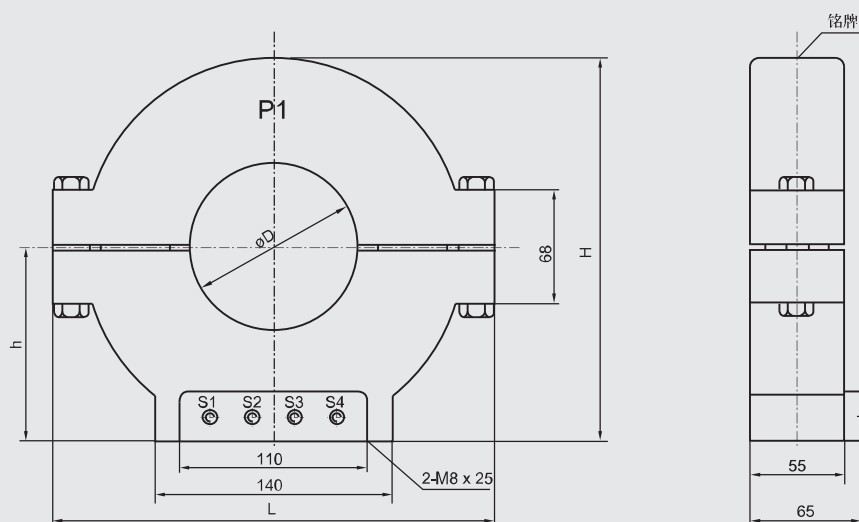
- 额定频率50Hz或60Hz
Rated frequency 50Hz or 60Hz
- 是专门为6kV-35kV户内电缆头出线设计的开合式电流互感器
It is specially designed for the cable outline. It is used for reply protection in the electric system up to rated voltage 6kV to 35kV.
- 安装时可将互感器分为两半，然后合并为一体，用螺栓拧紧。可以在不停电状态下进行安装。
Being installed, at first, make the product dimidiation. Then make it coalition used bolt. Can be loaded at hot-line condition.
- 本型互感器一次主绝缘由电缆保证，产品仅考核二次绕组的绝缘性能，二次绕组对地耐压为3kV一分钟。
Because the cable protects the primary main insulation, so, the insulation characteristics of secondary winding are only examined. The secondary winding can be able to withstand the power frequency test voltage of 3kV to ground.



型号 Type	出线端标志 Terminal mark	变比 Transformation ratio (A)	额定二次输出 Rated secondary output (VA)	使继电器动作的 一次剩余电流 Primary residual current of relay acting (A)	重量 Weight (kg)
LXBK1-Φ80	S1-S2	15/1	≤2.5	1 ≤ I _o < 6	6.0
LXBK1-Φ100	S1-S3	60/1		6 ≤ I _o < 12	7.4
LXBK1-Φ120	S1-S4	120/1		12 ≤ I _o < 36	6.8

零序电流：一次侧输入1A~36A，二次侧输入电流20mA~36mA。
Residual current: from input 1A~36A, from output current 20mA~36mA.

外形及安装尺寸 Overall dimension drawing



规格 Spec	ΦD	L	H	h
LXBK1-Φ80	80	220	200	103
LXBK1-Φ100	100	260	230	117
LXBK1-Φ120	120	260	230	117