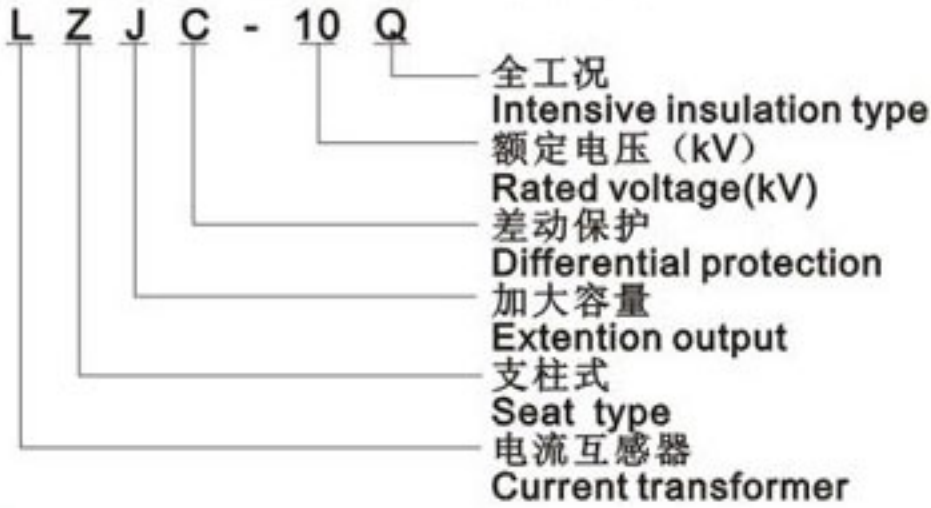




### ◆ 型号含义 Type description



### ◆ 技术参数 Technical date

产品型号 Type	额定电流比 Rated transformation ratio(A)	级次组合 Accuracy Classes combination	准确级及额定输出 (VA) Accuracy class and rated output COS φ=0.8				一秒热稳定电流 1s thermal current (kA)	动稳定电流 Rated dynamic current(kA)
			0.2S	0.2	0.5	10P15		
LZJC-10Q	5/5	0.2S/10P15 0.2/10P15 0.5/10P15	10	10	10	15	0.4	0.8
	10/5						0.8	1.5
	15/5						1.1	2.3
	20/5						1.5	3
	30/5						2.3	4.5
	40/5						3	6
	50/5						3.8	7.5
	75/5						5.6	11.3
	100/5						7.5	15
	150/5						11.3	23
	200/5						15	30
	300/5						22.5	45
	400/5						30	60
	600/5						30	60
	800/5						40	80
1000/5	45	90						
1500/5	45	90						

注：用户如有特殊要求可与我公司协商确定，动热稳定可按用户要求。

Note: Any special requirements can be negotiated with us, thermal and heat both stable, we can customized your requirement.

### ◆ 外形及安装尺寸 Overall dimension drawing

