

户外 单相 环氧树脂浇注式

OUTDOOR SINGLE-PHASE EPOXY RESIN CASTING TYPE

技术参数 Technical data

- 产品性能符合标准 GB1208和IEC60044-1
The current transformers are in accordance with GB1208 and IEC60044-1 standards
- 额定绝缘水平 12/42/75kV
Rated insulation level 12/42/75kV
- 额定频率50Hz或60Hz
Rated frequency 50Hz or 60Hz
- 额定二次电流：5A或1A
Rated secondary current 5A or 1A
- 环境温度：-5℃~+40℃
Ambient temperature -5℃~+40℃
- 污秽等级IV级
Pollution class IV



主要技术参数 Main technical parameters

额定一次电流 Rated primary current(A)	准确级组合 Accuracy classes combination	额定输出 Rated output(VA)	一秒热稳定电流 1s thermal current (kA)	动稳定电流 Rated dynamic current (kA)		
20-40;40	0.2/0.5	10/10	6.3	15		
30-50;50			7.5	18.75		
40-75;75			15	37.5		
50-100;100			18	45		
75-150;150			25	55		
100-200;200			50	110		
150-300;300			60	10/15	60	130
200-400;400						
300-600;600						
400-800;800						
500-1000;1000	0.2S/0.5/10P20	15/15/20	80	160		
1200-1500;1500						

复变比技术参数 The complex variable technique parameters

额定一次电流 Rated primary current(A)	准确级组合 Accuracy classes combination	额定二次输出 Rated secondary output(VA)	一秒热稳定电流 1s thermal current (kA)	动稳定电流 Rated dynamic current (kA)		
10-15-20	0.2/0.2	10/10	2.7	4.5		
15-20-30			4.2	6.6		
20-30-40			6	9		
30-40-50			9	11.5		
40-50-75			11.3	16.5		
50-75-100			16.8	22		
75-100-150			24	33		
100-150-200			33.6	45		
150-200-300			0.2S/0.5/10P20	15/15/20/20	45	63
200-300-400					45	80
300-400-500	45	100				
500-600-800	80	130				
600-800-1000	80	130				

注：如果用户要求的参数超出上表范围。可与我公司协商确定。额定输出及其相应的准确级仅符合其中一项。

概述 Description

本型户外电流互感器为环氧树脂浇注全封闭支柱式产品，适用于额定频率50Hz或60Hz、额定电压10kV及以下的电力系统中，作电能计量、电流测量和继电保护用。本产品符合IEC185及GB1208-2006《电流互感器》标准。

This current transformer is full enclosed and prop shape product. It is used for metering electric energy and current, relay protection in the electric power system up to rated frequency 50Hz or 60Hz and rated voltage 10kV, The transformers can be executed according to the standards IEC185 and GB1208-2006.

结构特点 Characteristic of structure

本型电流互感器为支柱式结构，外绝缘采用户外专用环氧树脂（瑞士 ciba, cw5837），具有耐电弧、耐紫外线、耐老化、寿命长、爬电距离大、局部放电小、抗过电压能力强等特点。一次绕组和二次绕组及其铁心组合在一起的器身封闭在环氧树脂混合料的浇注体内，一次绕组P1、P2端由产品顶部引出，二次绕组接线端1S1-1S2、2S1-2S2由产品下部引出。

The type of current transformer is a full en-closed and prop shape product. It is made by outdoor resin (made in seitzerl and ciba, the typ is cw5837). The product has much merit, such as: electric arc resistances, ultraviolet ray and aging resistance, long working time, long creepage distance, little partial discharge and large caliber of resistance to over-voltage, etc. The primary winding, secondary winding and core are made up to-gether and poured in the cast. The primary winding's terminal, P1 and P2, is on the product, and the secondary winding's sterminal, 1S1-1S2 and 2S1-2S2, is leaded out underside of the product.

外形及安装尺寸 Overall dimension drawing

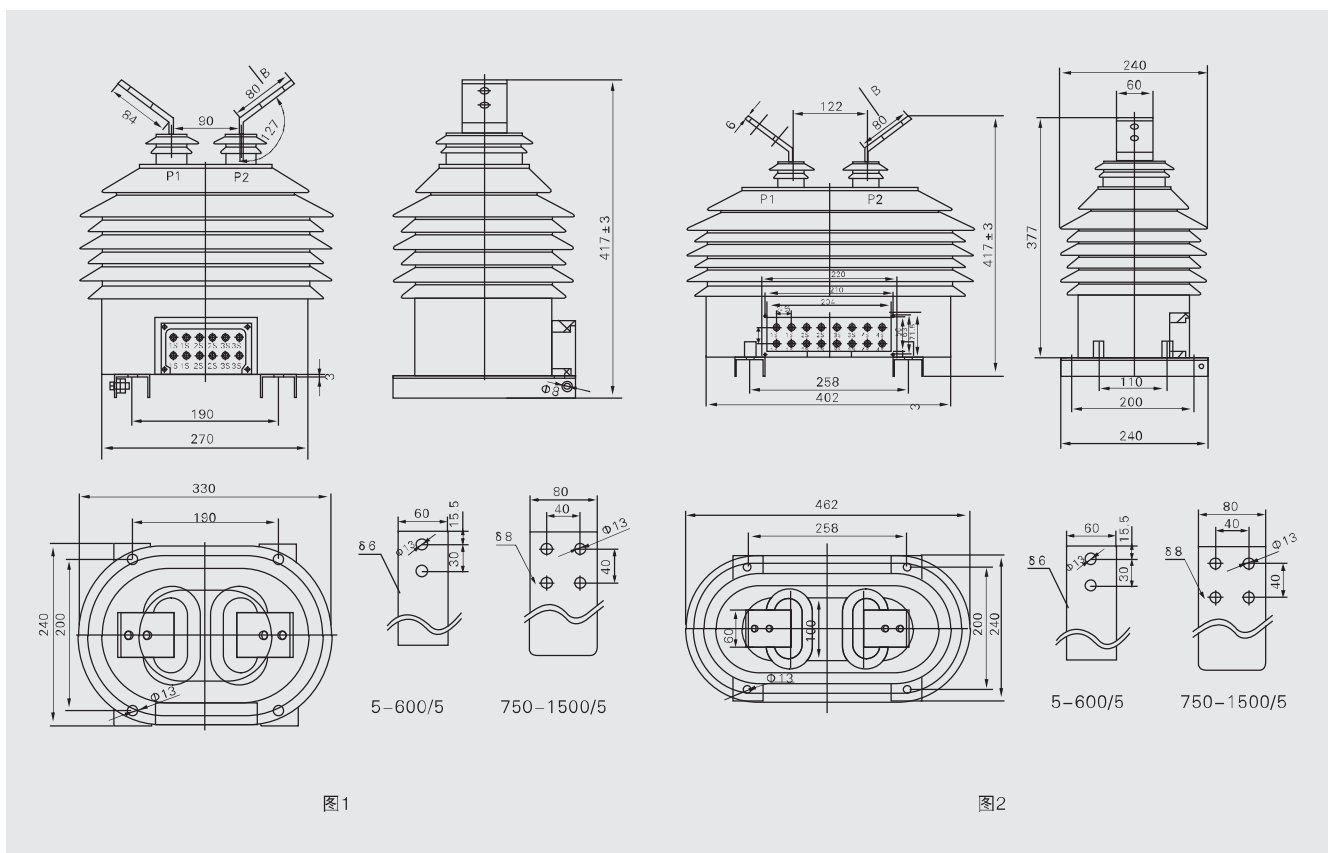


图1

图2