

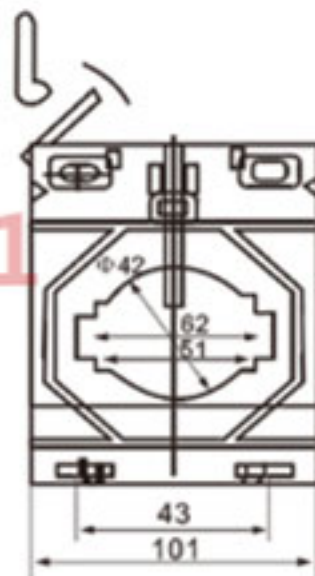
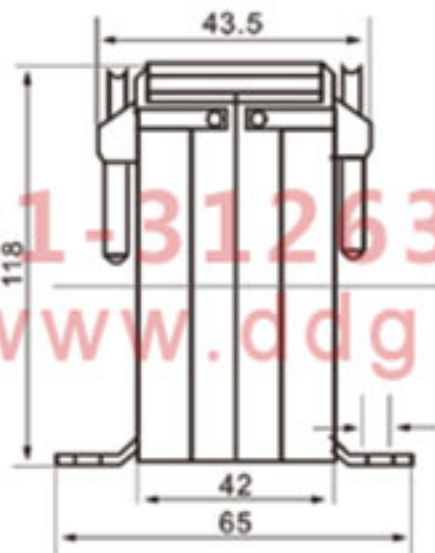
Technical parameter 技术参数

Type 型号	Rated current(A) 额定电流	Rated load(VA)额定负荷		Rated Voltage(V) 额定电压	Rated Frequency(Hz) 额定频率
		Class:0.5	Class:1.0		
MES-60	400/5	5	5	720	50/60
	600/5	5	5	720	50/60
	800/5	5	10	720	50/60
	1000/5	5	10	720	50/60



MES-60

Busbar dimension: 60×10mm
Round conductor cross section: ϕ 40mm



021-31263351
www.ddg.cc